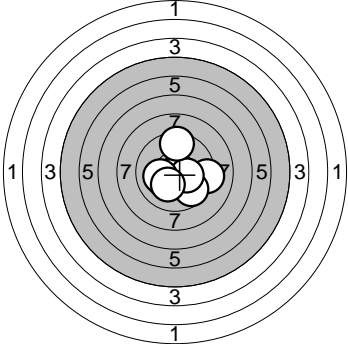
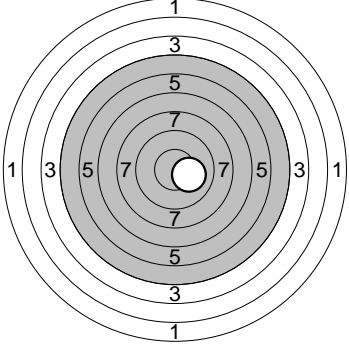
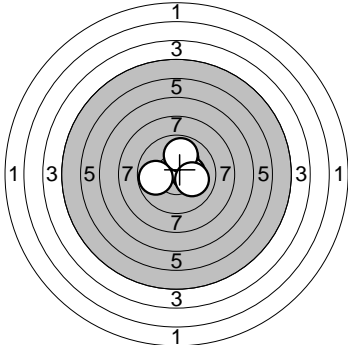
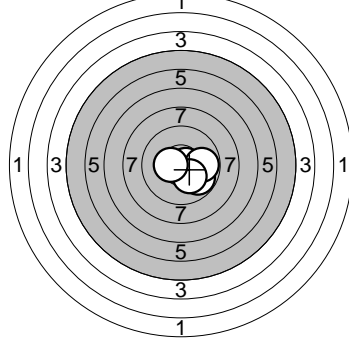
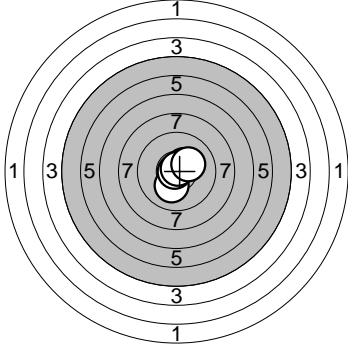
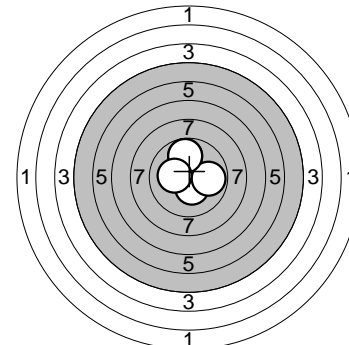


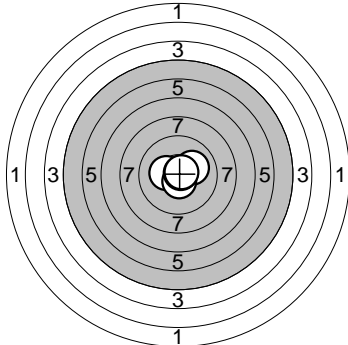
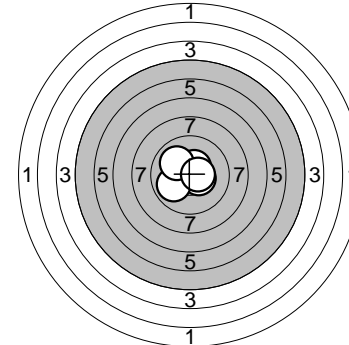
**Kretsomgång  
Skyttiaden  
2005-12-03**

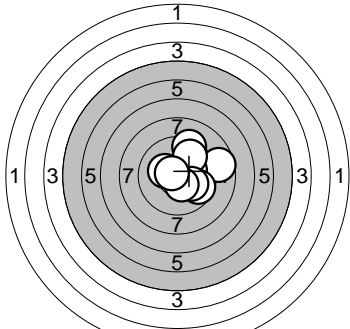
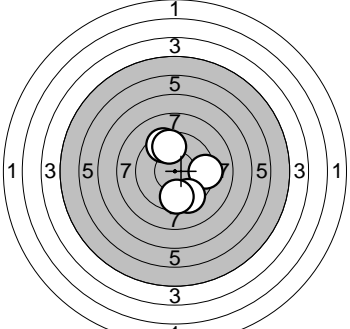
**Tävlingsfakta:**  
**Gren: Luftgevär**  
**Skjutprogram: Nationellt 1 Omgång 6 serier 5 skott / serie**  
**Antal anmälda: 48 st**

<b>Provskott</b> 	1: 10,8* → 2: 9,2 → 3: 10,0 ↘ 4: 10,7* → 5: 10,2* ↙ 6: 9,7 ↘ 7: 10,3* → 8: 10,2* ← 9: 9,5 ↑ 10: 10,2* ↘ <hr/> Serie: 97,0 Summa: 0,0	<b>Provskott</b> 	11: 10,1 → <hr/> Serie: 10,0 Summa: 0,0
---	---	--	---

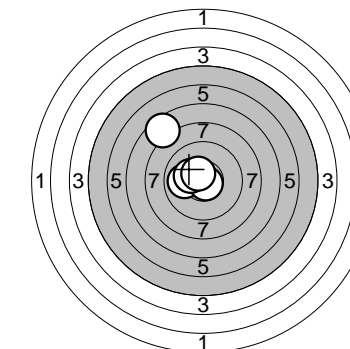
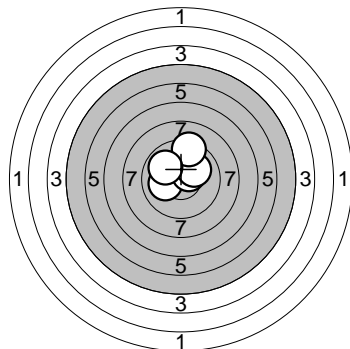
<b>Skott/Skott</b> 	1: 10,1 ↑ 2: 10,3* → 3: 9,9 ↑ 4: 10,1 → 5: 9,8 ← <hr/> Serie: 48,0 Summa: 48,0	<b>Skott/Skott</b> 	6: 10,7* → 7: 9,8 ↘ 8: 9,8 → 9: 10,2* ↘ 10: 10,4* ← <hr/> Serie: 48,0 Summa: 96,0
--	--	---	---

<b>Skott/Skott</b> 	11: 10,2* ↘ 12: 10,9* ← 13: 10,5* ↗ 14: 10,8* ↗ 15: 10,2* ↗ <hr/> Serie: 50,0 Summa: 146,0	<b>Skott/Skott</b> 	16: 10,4* ↘ 17: 9,8 ↑ 18: 9,9 → 19: 9,8 ↑ 20: 10,2* ← <hr/> Serie: 47,0 Summa: 193,0
---	--	--	--

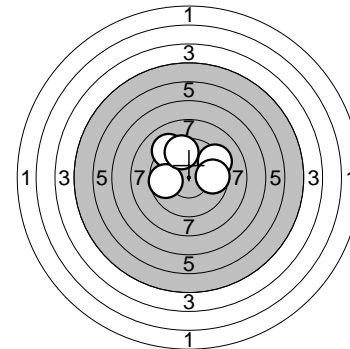
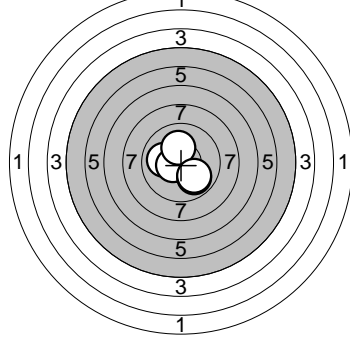
<b>Skott/Skott</b> 	21: 10,1 ↗ 22: 10,3* ← 23: 10,6* ↘ 24: 10,8* ↗ 25: 10,7* ↗ <hr/> Serie: 50,0 Summa: 243,0	<b>Skott/Skott</b> 	26: 10,4* → 27: 10,5* ↗ 28: 10,0 ← 29: 10,1 ↗ 30: 10,5* → <hr/> Serie: 50,0 Summa: 293,0
---	---	--	--

Provs skott 	1: 8,7 → 2: 9,3 ↗ 3: 10,2* → 4: 9,8 ↗ 5: 9,7 ↘ 6: 10,1 ↘ 7: 10,3* ↖ 8: 10,4* ↘ 9: 10,6* ↖	Skott/Skott 	1: 9,5 ↖ 2: 9,6 ↗ 3: 9,3 → 4: 9,4 ↘ 5: 9,6 ↘
--	---	---	--

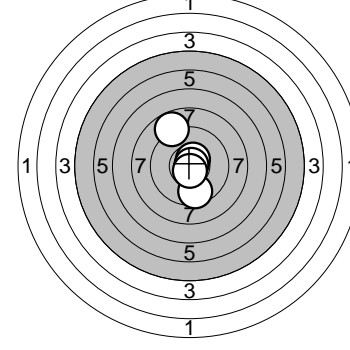
Serie: 85,0	Serie: 45,0
Summa: 0,0	Summa: 45,0

Skott/Skott 	6: 10,0 ← 7: 7,6 ↗ 8: 10,7* ↘ 9: 10,3* ↖ 10: 10,5* ↗	Skott/Skott 	11: 10,1 ← 12: 10,4* ↗ 13: 10,1 ↗ 14: 9,3 ↗ 15: 9,9 ↖
---	--	--	---

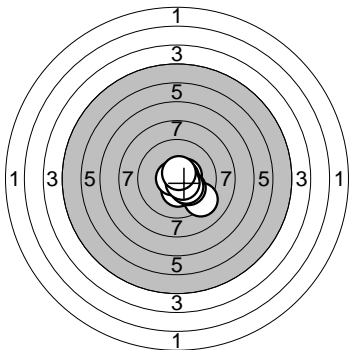
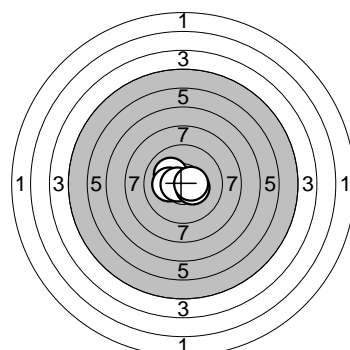
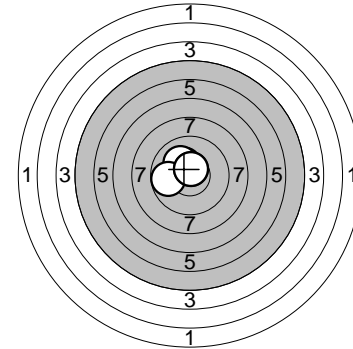
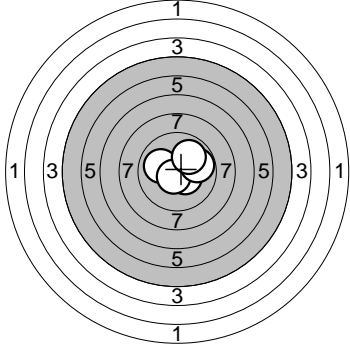
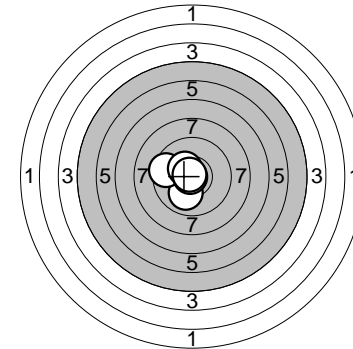
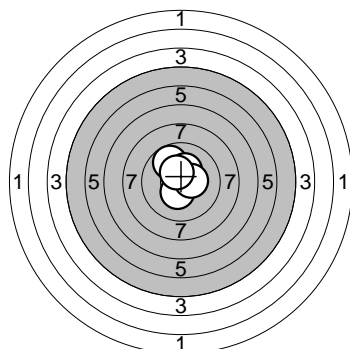
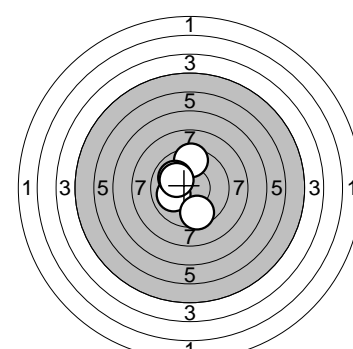
Serie: 47,0	Serie: 48,0
Summa: 92,0	Summa: 140,0

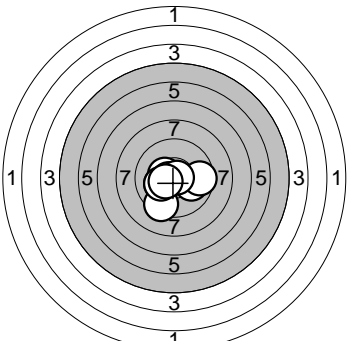
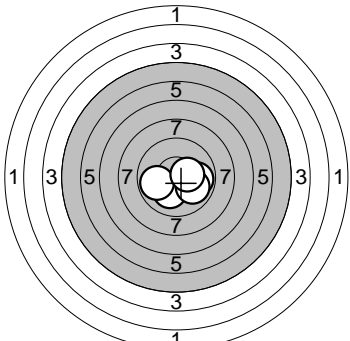
Skott/Skott 	16: 9,2 ↘ 17: 9,3 ↗ 18: 9,7 → 19: 9,7 ← 20: 9,6 ↗	Skott/Skott 	21: 10,0 ← 22: 10,5* ← 23: 9,9 ↘ 24: 10,2* ↗ 25: 9,9 ↘
--	---	---	--

Serie: 45,0	Serie: 48,0
Summa: 185,0	Summa: 233,0

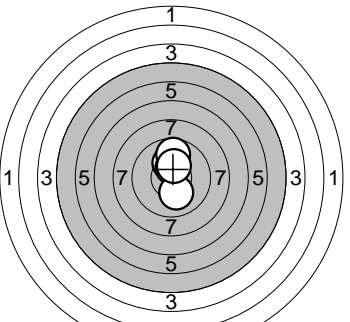
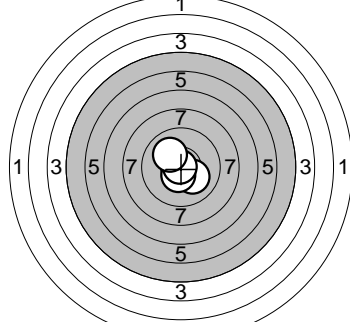
Skott/Skott 	26: 9,6 ↘ 27: 10,6* ↗ 28: 10,8* → 29: 8,8 ↗ 30: 10,7* ↘		
--	---	--	--

Serie: 47,0	
Summa: 280,0	

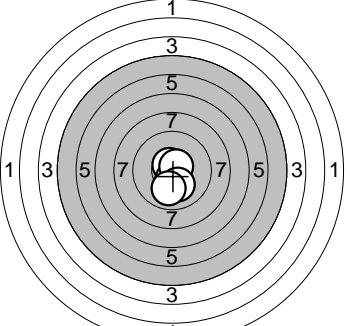
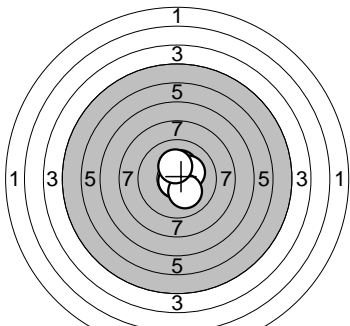
Provs-kott 	1: 9,2 ↘ 2: 10,5* → 3: 10,3* ↓ 4: 10,1 ↘ 5: 10,3* ↘ 6: 10,7* ← 7: 10,7* → 8: 10,3* ↘ 9: 10,6* ↘ 10: 10,6* ↑ Serie: 99,0 Summa: 0,0	Skott/Skott 	1: 10,1 ↗ 2: 10,2* ← 3: 10,7* ← 4: 10,4* → 5: 10,5* → Serie: 50,0 Summa: 50,0
Skott/Skott 	6: 10,3* ↗ 7: 10,1 ↗ 8: 9,8 ← 9: 10,6* ↑ 10: 10,6* ↑ Serie: 49,0 Summa: 99,0	Skott/Skott 	11: 10,1 ← 12: 10,4* ↘ 13: 10,6* ↓ 14: 9,8 → 15: 10,0 ↗ Serie: 49,0 Summa: 148,0
Skott/Skott 	16: 10,0 ↓ 17: 9,6 ← 18: 10,4* ↗ 19: 10,9* ← 20: 10,8* ↖ Serie: 49,0 Summa: 197,0	Skott/Skott 	21: 10,3* ↓ 22: 9,8 ↗ 23: 10,3* ↑ 24: 10,4* → 25: 10,5* ↗ Serie: 49,0 Summa: 246,0
Skott/Skott 	26: 10,1 ← 27: 9,5 ↓ 28: 9,5 ↑ 29: 10,0 ↗ 30: 10,1 ↗ Serie: 48,0 Summa: 294,0		

Provs-kott 	Skott/Skott 	1: 10,2* ← 2: 10,4* ← 3: 9,4 ↓ 4: 10,2* ← 5: 10,0 → 6: 9,6 → 7: 10,6* ← 8: 10,8* → 9: 10,5* ← Serie: 88,0 Summa: 0,0	1: 10,1 ↓ 2: 9,9 → 3: 9,9 → 4: 9,9 ← 5: 10,4* → Serie: 47,0 Summa: 47,0
---	---	--	---

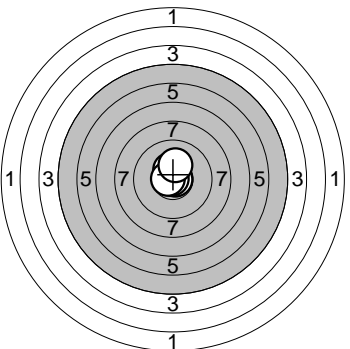
--	--	--	--

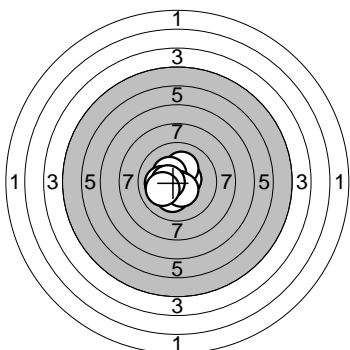
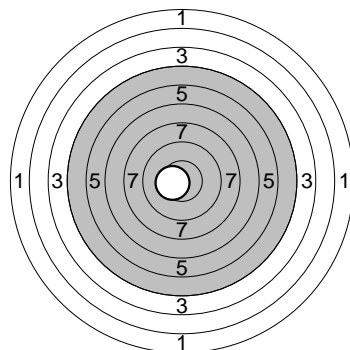
Skott/Skott 	Skott/Skott 	6: 10,2* ↑ 7: 10,4* ↑ 8: 10,1 ↓ 9: 9,8 ↑ 10: 10,3* ↑ Serie: 49,0 Summa: 96,0	11: 10,6* ↓ 12: 10,1 ↓ 13: 10,5* ↓ 14: 10,9* ← 15: 10,1 ↗ Serie: 50,0 Summa: 146,0
---	--	--	--

--	--	--	--

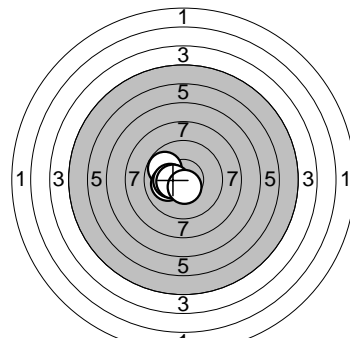
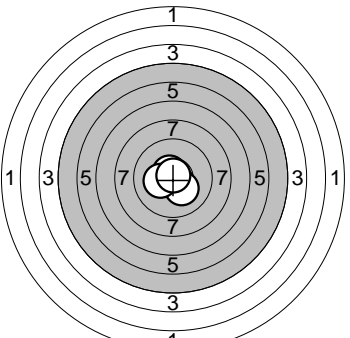
Skott/Skott 	Skott/Skott 	16: 10,6* ↗ 17: 10,5* ↓ 18: 10,6* ↗ 19: 10,1 ↓ 20: 10,0 ↓ Serie: 50,0 Summa: 196,0	21: 10,3* ↑ 22: 10,8* ↓ 23: 10,3* ↗ 24: 10,1 ↓ 25: 10,3* ↑ Serie: 50,0 Summa: 246,0
--	---	--	---

--	--	--	--

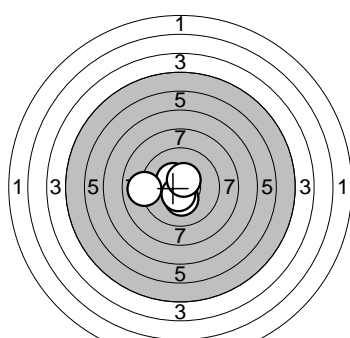
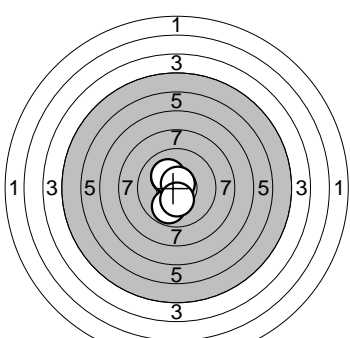
Skott/Skott 	26: 10,8* → 27: 10,9* ← 28: 10,5* ↑ 29: 10,7* ← 30: 10,2* ↑ Serie: 50,0 Summa: 296,0		
--	--	--	--

Provskott		Provskott
	<p>1: 10,5* →</p> <p>2: 10,2* ↑</p> <p>3: 10,4* ↘</p> <p>4: 10,1 ←</p> <p>5: 10,6* ↓</p> <p>6: 10,2* ↓</p> <p>7: 10,1 ←</p> <p>8: 10,4* ↓</p> <p>9: 10,5* ←</p> <p>10: 10,1 ↙</p>	
	Serie: 100,0	Serie: 10,0
	Summa: 0,0	Summa: 0,0

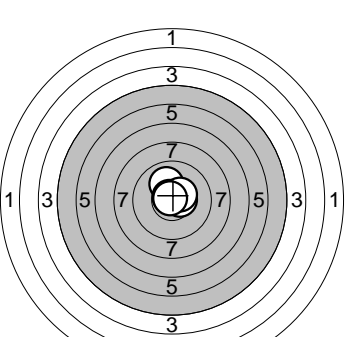
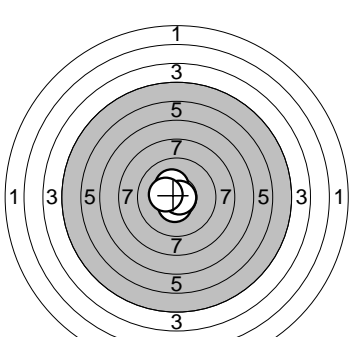
--	--	--

Skott/Skott		Skott/Skott
	<p>1: 9,8 ↙</p> <p>2: 10,1 ←</p> <p>3: 10,3* ←</p> <p>4: 10,4* ←</p> <p>5: 10,6* ↓</p>	
	Serie: 49,0	Serie: 50,0
	Summa: 49,0	Summa: 99,0

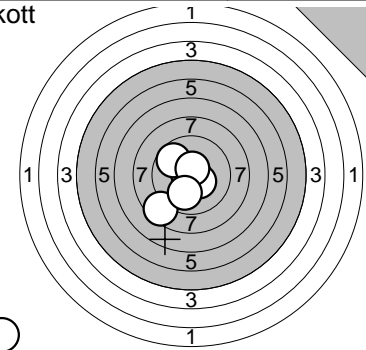
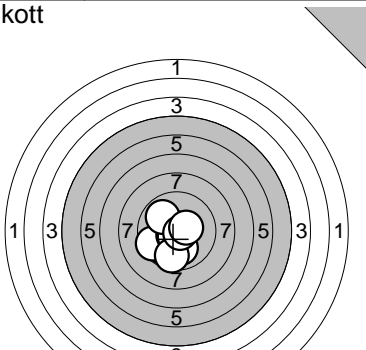
--	--	--

Skott/Skott		Skott/Skott
	<p>11: 10,5* ↘</p> <p>12: 9,1 ←</p> <p>13: 10,3* ↓</p> <p>14: 10,5* ↓</p> <p>15: 10,5* ↗</p>	
	Serie: 49,0	Serie: 49,0
	Summa: 148,0	Summa: 197,0

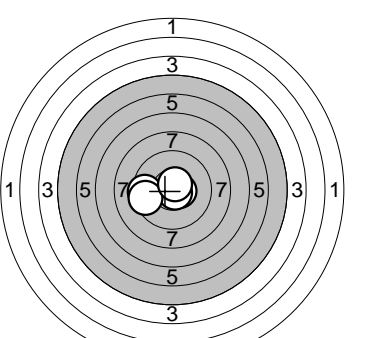
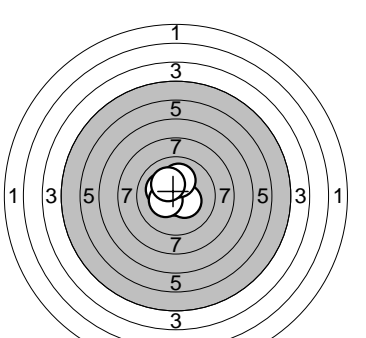
--	--	--

Skott/Skott		Skott/Skott
	<p>21: 10,1 ↑</p> <p>22: 10,8* ↘</p> <p>23: 10,5* →</p> <p>24: 10,4* ↗</p> <p>25: 10,8* ↘</p>	
	Serie: 50,0	Serie: 50,0
	Summa: 247,0	Summa: 297,0

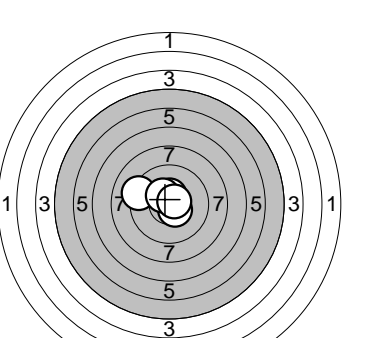
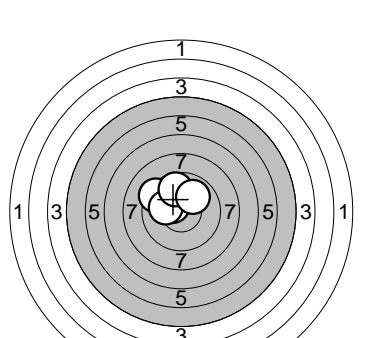
--	--	--

Provsnitt 	1: 10,5* ↗ 2: 9,8 ↗ 3: 10,4* ↘ 4: 0,0 ↓ 5: 8,5 ↙ 6: 0,0 ↓ 7: 0,0 ↑ 8: 0,0 ↙ 9: 10,6* ↑ 10: 10,0 ↓ Serie: 57,0 Summa: 0,0	Provsnitt 	11: 9,8 ↙ 12: 10,0 ↓ 13: 9,5 ↙ 14: 10,7* ↙ 15: 10,6* ↙ 16: 10,0 ↓ 17: 9,9 ↗ 18: 9,6 ↓ 19: 10,7* ↘ 20: 10,4* → Serie: 96,0 Summa: 0,0
--	---	---	---

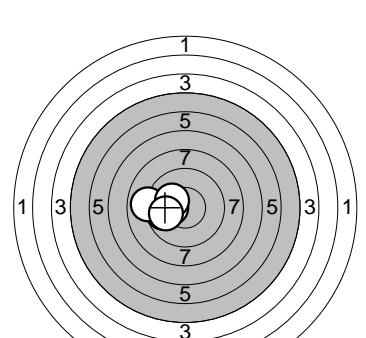
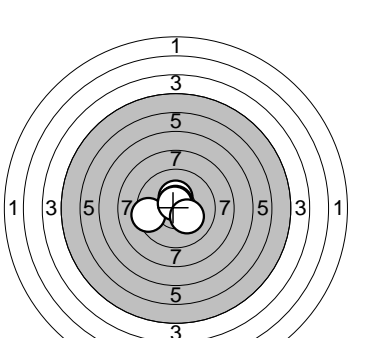
--	--	--	--

Skott/Skott 	1: 10,5* → 2: 10,7* ↘ 3: 9,5 ← 4: 9,5 ← 5: 10,6* ↗ Serie: 48,0 Summa: 48,0	Skott/Skott 	6: 10,2* ↙ 7: 10,4* ↘ 8: 10,4* ← 9: 10,1 ↑ 10: 10,2* ↗ Serie: 50,0 Summa: 98,0
---	--	--	--

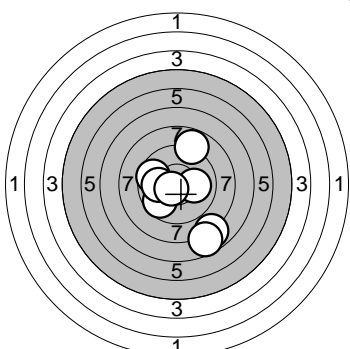
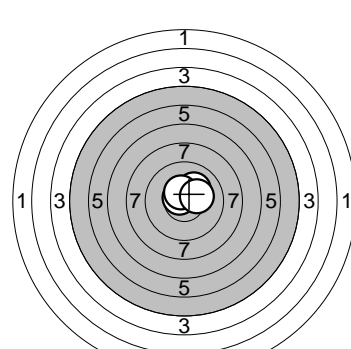
--	--	--	--

Skott/Skott 	11: 10,5* ↑ 12: 10,5* ↘ 13: 9,2 ↙ 14: 10,4* ↗ 15: 10,7* → Serie: 49,0 Summa: 147,0	Skott/Skott 	16: 10,4* ↗ 17: 9,4 ↙ 18: 10,1 ← 19: 9,7 ↑ 20: 10,0 ↗ Serie: 48,0 Summa: 195,0
--	--	---	--

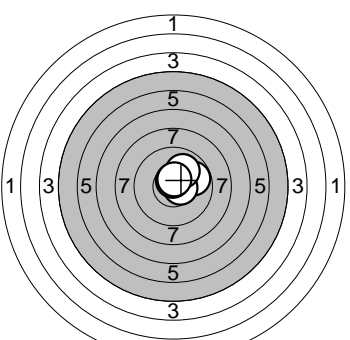
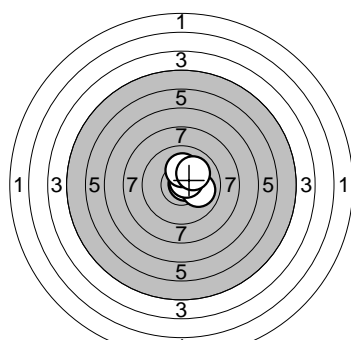
--	--	--	--

Skott/Skott 	21: 9,8 ← 22: 9,0 ← 23: 10,2* ← 24: 10,2* ↙ 25: 9,9 ← Serie: 47,0 Summa: 242,0	Skott/Skott 	26: 10,4* ↑ 27: 10,7* ↑ 28: 9,5 ← 29: 10,7* ↑ 30: 10,2* ↘ Serie: 49,0 Summa: 291,0
--	--	---	--

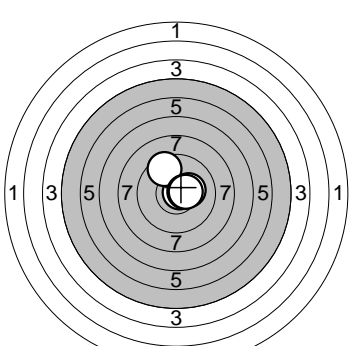
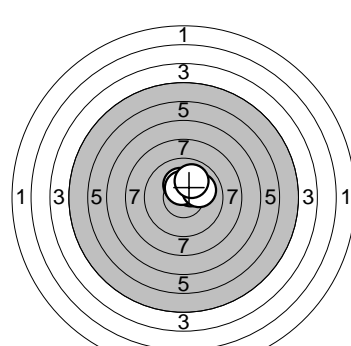
--	--	--	--

Provs-kott 	1: 7,9 ↘ 2: 7,7 ↘ 3: 8,8 ↗ 4: 10,0 → 5: 9,7 ↘ 6: 9,7 ← 7: 10,0 ← 8: 10,6* ↙  Serie: 70,0 Summa: 0,0	Skott/Skott 	1: 10,3* ↗ 2: 10,2* ↗ 3: 10,7* ↖ 4: 10,5* ↗ 5: 10,2* →  Serie: 50,0 Summa: 50,0
---	---	---	--

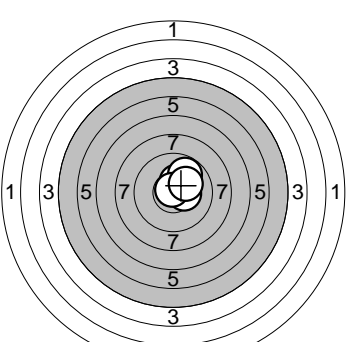
--	--	--	--

Skott/Skott 	6: 9,8 → 7: 10,5* → 8: 10,0 ↗ 9: 10,7* ↑ 10: 10,6* ↑  Serie: 49,0 Summa: 99,0	Skott/Skott 	11: 10,7* → 12: 10,0 → 13: 10,6* ↗ 14: 10,2* ↑ 15: 10,1 ↗  Serie: 50,0 Summa: 149,0
---	--	--	--

--	--	--	--

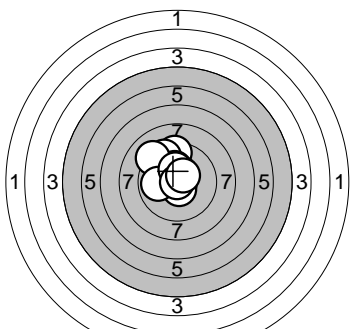
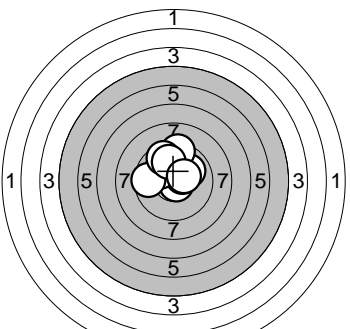
Skott/Skott 	16: 10,7* → 17: 9,5 ↖ 18: 10,5* → 19: 10,3* → 20: 10,4* →  Serie: 49,0 Summa: 198,0	Skott/Skott 	21: 10,3* ↑ 22: 10,4* ↗ 23: 10,5* ↑ 24: 10,0 → 25: 10,0 ↑  Serie: 50,0 Summa: 248,0
--	--	---	--

--	--	--	--

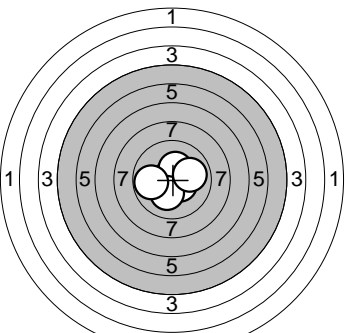
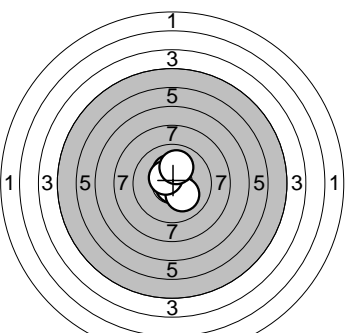
Skott/Skott 	26: 10,4* ↑ 27: 9,8 ↗ 28: 10,4* → 29: 10,8* ↑ 30: 10,1 ↗  Serie: 49,0 Summa: 297,0		
--	---	--	--

--	--	--	--

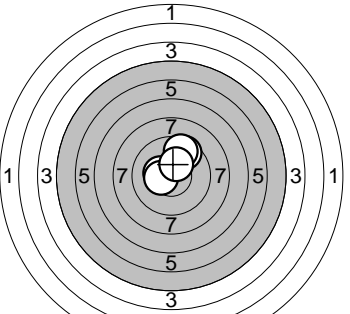
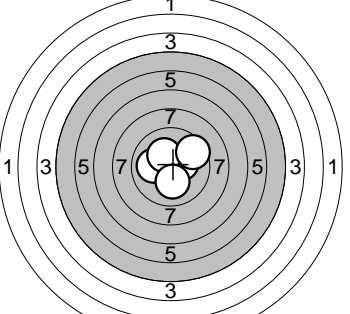


Provsnitt 	1: 9,4 ↑ 2: 9,5 ↖ 3: 10,5* ↗ 4: 10,2* ↑ 5: 10,5* ↓ 6: 9,2 ↖ 7: 9,9 ← 8: 10,3* ↑ 9: 10,9* ↓ 10: 10,5* ↗ Serie: 96,0 Summa: 0,0	Provsnitt 	11: 10,7* ↓ 12: 10,4* → 13: 10,1 ↖ 14: 9,6 ← 15: 10,0 → 16: 9,4 ↑ 17: 9,6 ↗ 18: 9,9 ↑ 19: 10,4* → Serie: 86,0 Summa: 0,0
--	--	---	--

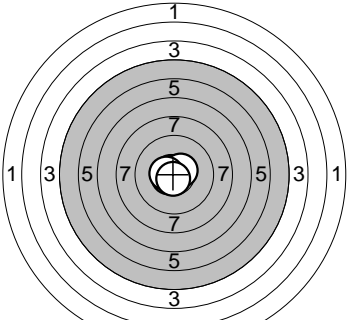
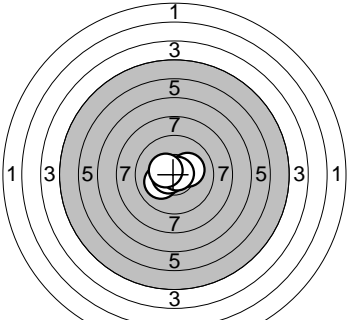
--	--	--	--

Skott/Skott 	1: 10,4* ↘ 2: 10,4* ↑ 3: 10,2* ↓ 4: 10,0 → 5: 9,8 ← Serie: 49,0 Summa: 49,0	Skott/Skott 	6: 10,8* ↓ 7: 10,1 ↘ 8: 10,4* ↑ 9: 10,5* ↖ 10: 10,1 ↑ Serie: 50,0 Summa: 99,0
---	---	--	---

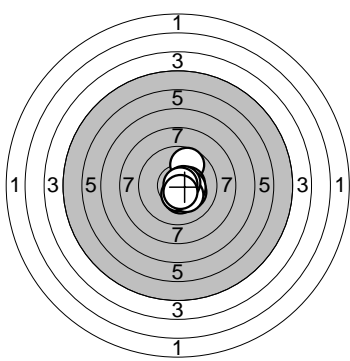
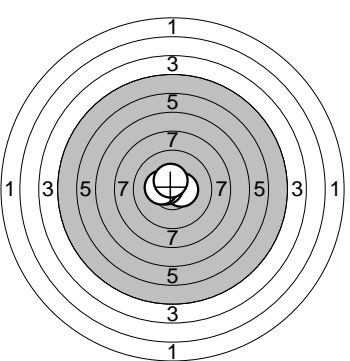
--	--	--	--

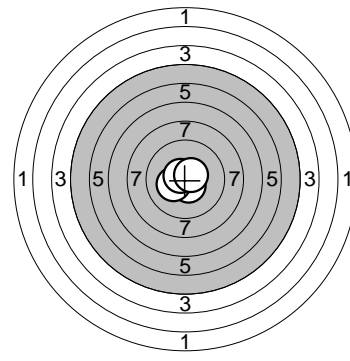
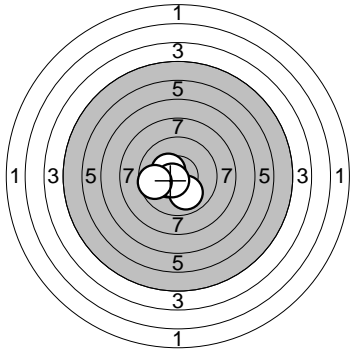
Skott/Skott 	11: 10,4* ← 12: 10,4* ← 13: 9,6 ↗ 14: 9,6 ↗ 15: 10,3* ↗ Serie: 48,0 Summa: 147,0	Skott/Skott 	16: 10,1 ← 17: 10,4* → 18: 10,3* ↖ 19: 9,5 ↗ 20: 10,1 ↓ Serie: 49,0 Summa: 196,0
--	--	---	--

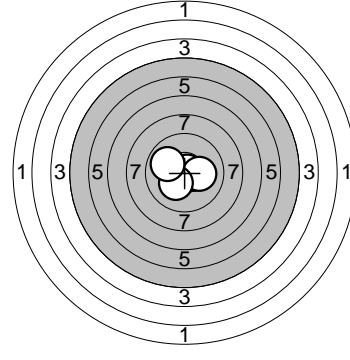
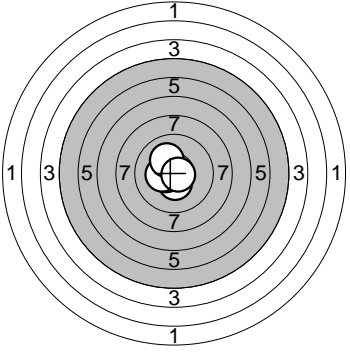
--	--	--	--

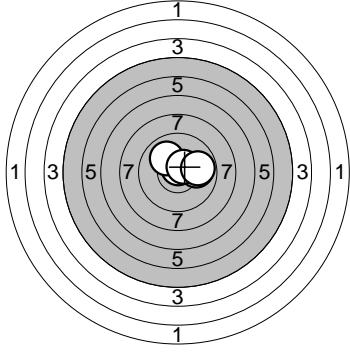
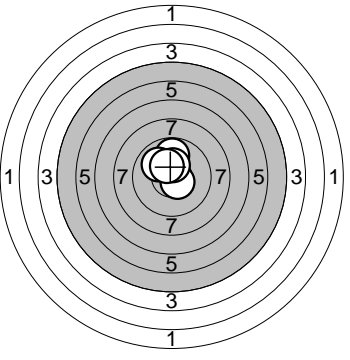
Skott/Skott 	21: 10,6* ↖ 22: 10,8* ↖ 23: 10,6* → 24: 10,5* ← 25: 10,7* ↓ Serie: 50,0 Summa: 246,0	Skott/Skott 	26: 10,2* → 27: 10,1 ↖ 28: 10,6* ← 29: 10,8* → 30: 10,5* ← Serie: 50,0 Summa: 296,0
--	--	---	---

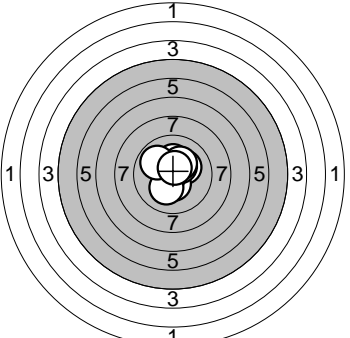
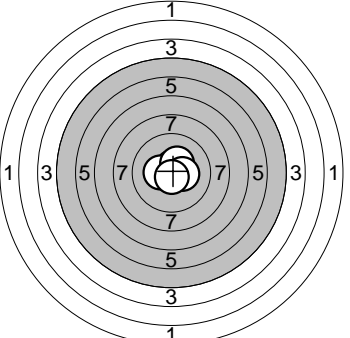
--	--	--	--

<b>Provskott</b> 	1: 10,2* → 2: 9,8 ↑ 3: 10,3* ↓ 4: 10,4* → 5: 10,4* ↓ 6: 10,4* → 7: 10,2* ↓ 8: 10,6* → 9: 10,8* → 10: 10,5* ↓ <hr/> Serie: 99,0 Summa: 0,0	<b>Provskott</b> 	11: 10,5* → 12: 10,6* ← 13: 10,4* ← 14: 10,5* ↑ <hr/> Serie: 40,0 Summa: 0,0
---	--	--	---

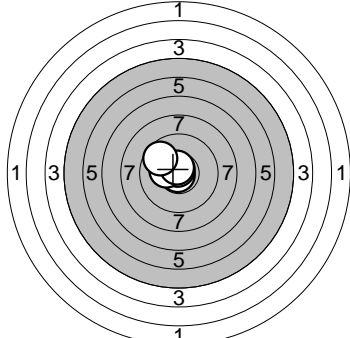
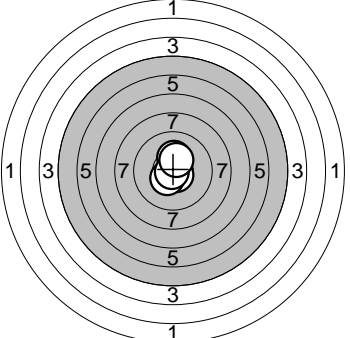
<b>Skott/Skott</b> 	1: 10,7* ↓ 2: 10,5* ↓ 3: 10,3* ← 4: 10,6* ↗ 5: 10,6* ↘ <hr/> Serie: 50,0 Summa: 50,0	<b>Skott/Skott</b> 	6: 10,4* ← 7: 10,4* ↗ 8: 10,0 ↓ 9: 10,6* ↙ 10: 9,7 ← <hr/> Serie: 49,0 Summa: 99,0
--	--	---	--

<b>Skott/Skott</b> 	11: 10,4* → 12: 10,8* → 13: 10,2* → 14: 10,2* ↙ 15: 9,9 ↗ <hr/> Serie: 49,0 Summa: 148,0	<b>Skott/Skott</b> 	16: 10,4* ↓ 17: 10,5* ← 18: 10,3* ← 19: 10,2* ↗ 20: 10,7* → <hr/> Serie: 50,0 Summa: 198,0
---	--	--	--

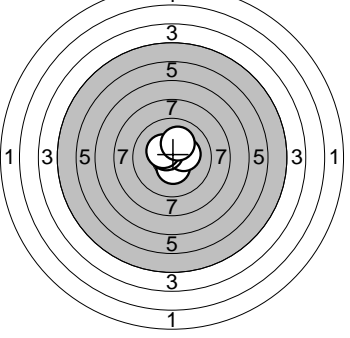
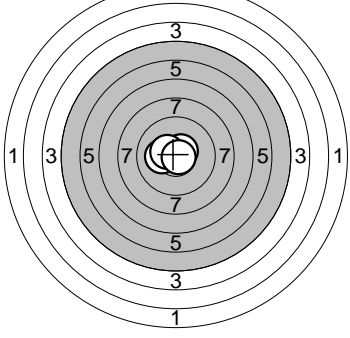
<b>Skott/Skott</b> 	21: 10,7* ↑ 22: 10,0 → 23: 10,0 ↗ 24: 10,5* ↘ 25: 9,9 → <hr/> Serie: 49,0 Summa: 247,0	<b>Skott/Skott</b> 	26: 9,8 ↑ 27: 10,5* ↘ 28: 10,3* ↑ 29: 10,0 ↗ 30: 10,4* ↗ <hr/> Serie: 49,0 Summa: 296,0
---	--	--	---

Provsnitt 	Skott/Skott 1: 10,2* → 2: 10,4* ↓ 3: 10,7* ← 4: 10,4* ↗ 5: 10,2* ↓ 6: 10,3* ↑ 7: 10,3* ↗ 8: 9,9 ↖ 9: 10,6* ↑	Skott/Skott  1: 10,6* ↑ 2: 10,4* ← 3: 10,4* ↗ 4: 10,3* → 5: 10,7* ↓
--	---	--

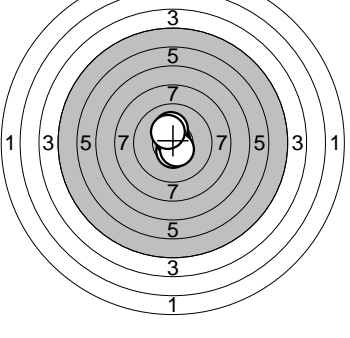
Serie: 89,0	Serie: 50,0
Summa: 0,0	Summa: 50,0

Skott/Skott 	Skott/Skott 6: 10,8* ↓ 7: 10,8* ↑ 8: 10,3* ← 9: 10,7* ↗ 10: 9,7 ↖	Skott/Skott  11: 10,6* ↓ 12: 10,3* ↑ 13: 10,5* ↙ 14: 10,8* ↙ 15: 10,4* ↑
---	--	--

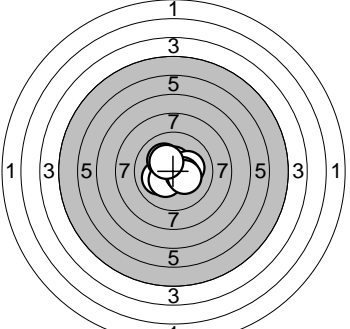
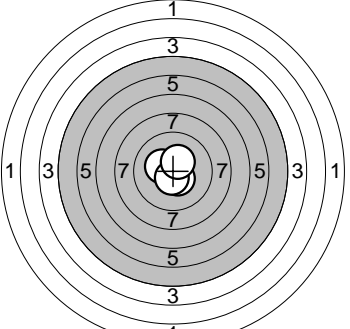
Serie: 49,0	Serie: 50,0
Summa: 99,0	Summa: 149,0

Skott/Skott 	Skott/Skott 16: 10,4* ↓ 17: 10,3* → 18: 10,6* ↖ 19: 10,4* ↖ 20: 10,2* ↑	Skott/Skott  21: 10,8* ↖ 22: 10,2* ← 23: 10,6* ↗ 24: 10,5* ↖ 25: 10,8* →
--	--	---

Serie: 50,0	Serie: 50,0
Summa: 199,0	Summa: 249,0

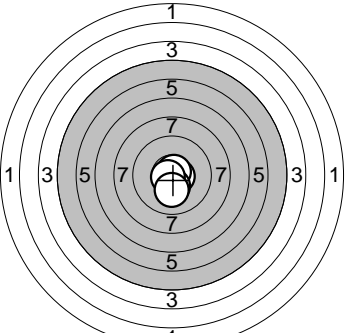
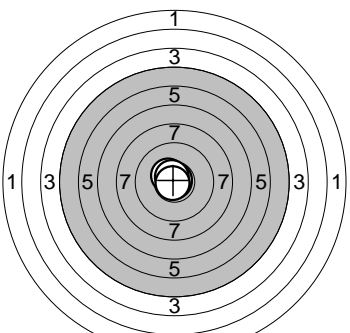
Skott/Skott 	Skott/Skott 26: 10,5* ↓ 27: 10,8* ↑ 28: 10,2* ↑ 29: 10,5* ↓ 30: 10,3* ↗	
--	--	--

Serie: 50,0	
Summa: 299,0	

Provs skott 	1: 10,6* ← 2: 10,1 ← 3: 10,2* ↗ 4: 10,6* ↑ 5: 10,3* ↘ 6: 10,2* → 7: 10,4* ↘ 8: 10,3* ↘ 9: 10,4* ↗	Skott/Skott 	1: 10,9* ← 2: 10,4* ↗ 3: 10,5* ↘ 4: 10,6* ↓ 5: 10,4* ↗
--	---	---	--

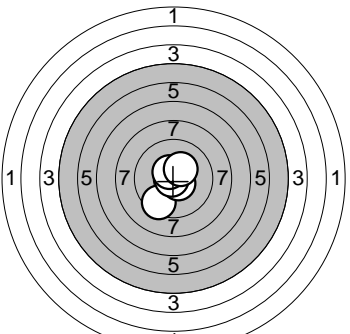
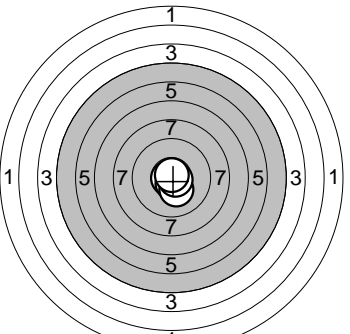
Serie:	90,0
Summa:	0,0

Serie:	50,0
Summa:	50,0

Skott/Skott 	6: 10,6* → 7: 10,7* ↗ 8: 10,3* ↓ 9: 10,7* ↙ 10: 10,2* ↓	Skott/Skott 	11: 10,9* ⇒ 12: 10,5* ↗ 13: 10,8* ↗ 14: 10,7* ↗ 15: 10,8* ↙
---	---	--	---

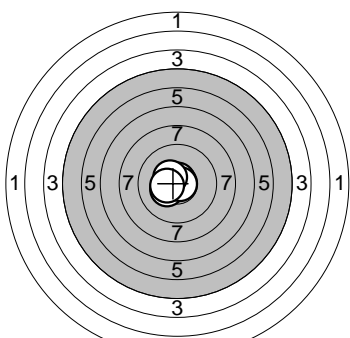
Serie:	50,0
Summa:	100,0

Serie:	50,0
Summa:	150,0

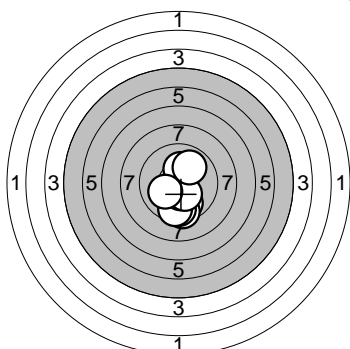
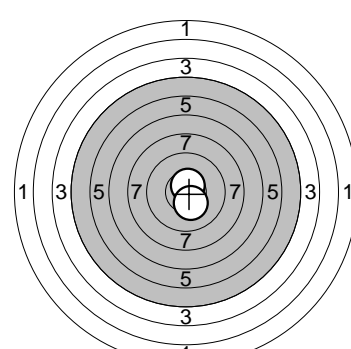
Skott/Skott 	16: 9,5 ↘ 17: 10,6* ↘ 18: 10,8* ↙ 19: 10,6* ↗ 20: 10,3* ↗	Skott/Skott 	21: 10,8* ← 22: 10,6* ↓ 23: 10,2* ↓ 24: 10,7* ⇒ 25: 10,8* ↑
--	---	---	---

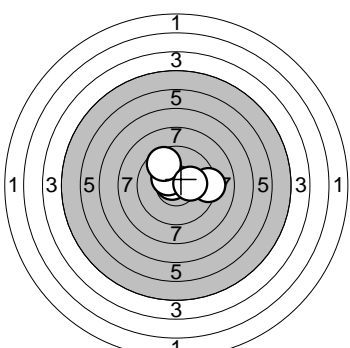
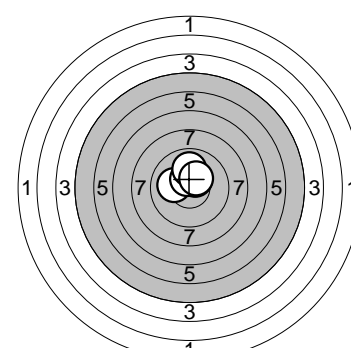
Serie:	49,0
Summa:	199,0

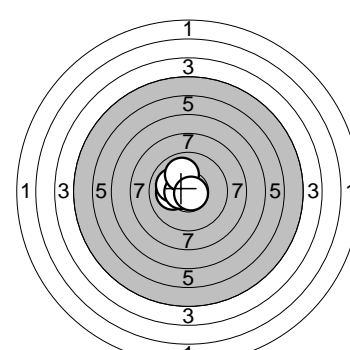
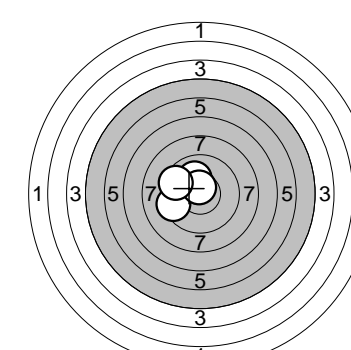
Serie:	50,0
Summa:	249,0

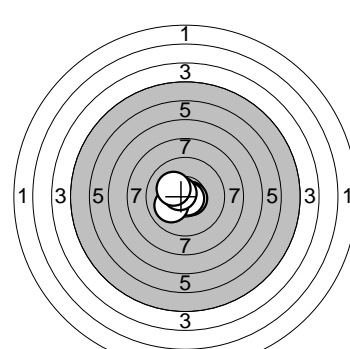
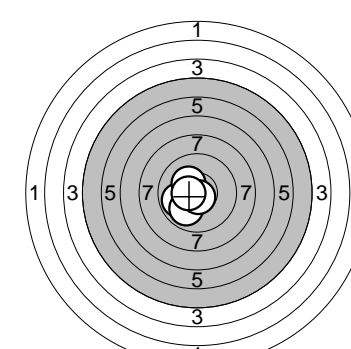
Skott/Skott 	26: 10,8* ↑ 27: 10,3* ↙ 28: 10,8* ⇒ 29: 10,5* ↗ 30: 10,4* ←		
--	---	--	--

Serie:	50,0
Summa:	299,0

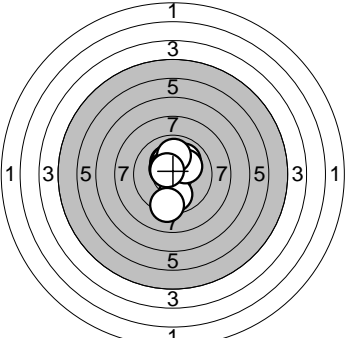
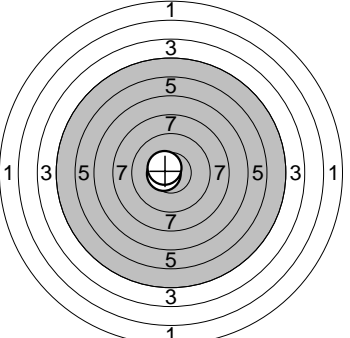
Provskott			Provskott
	1: 10,3* ↓ 2: 10,2* ↑ 3: 9,8 ↓ 4: 9,4 ↓ 5: 9,5 ↓ 6: 9,5 ↓ 7: 10,4* ↓ 8: 10,2* ↓ 9: 10,1 ← 10: 10,0 ↗		11: 10,6* ↑ 12: 10,3* ↓
Serie: 96,0		Serie: 20,0	
Summa: 0,0		Summa: 0,0	

Skott/Skott			Skott/Skott
	1: 9,2 → 2: 10,7* ↖ 3: 10,4* ↗ 4: 9,7 ↗ 5: 10,2* →		6: 10,5* ↗ 7: 10,2* ← 8: 10,5* ↑ 9: 10,0 ↑ 10: 10,4* ↗
Serie: 48,0		Serie: 50,0	
Summa: 48,0		Summa: 98,0	

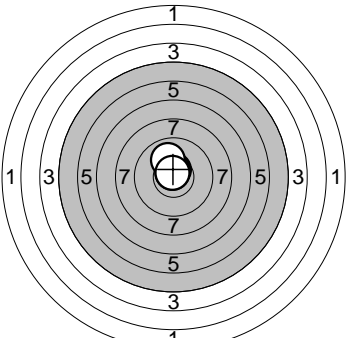
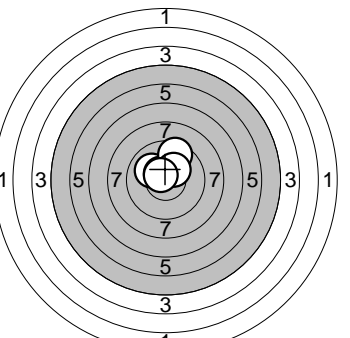
Skott/Skott			Skott/Skott
	11: 10,1 ← 12: 10,1 ← 13: 10,6* ← 14: 10,0 ↑ 15: 10,8* ↓		16: 10,6* ↑ 17: 9,4 ← 18: 10,1 ↑ 19: 10,6* ↑ 20: 9,6 ←
Serie: 50,0		Serie: 48,0	
Summa: 148,0		Summa: 196,0	

Skott/Skott			Skott/Skott
	21: 10,7* → 22: 10,8* ↓ 23: 10,1 ← 24: 10,6* ↗ 25: 10,2* ↗		26: 9,9 ← 27: 10,3* ↖ 28: 9,9 ↓ 29: 10,7* ↓ 30: 10,5* ←
Serie: 50,0		Serie: 48,0	
Summa: 246,0		Summa: 294,0	

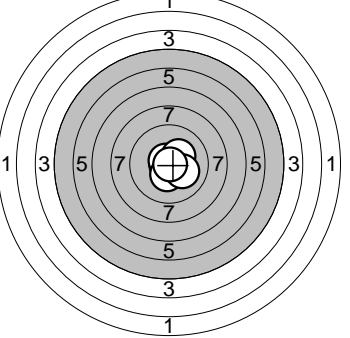
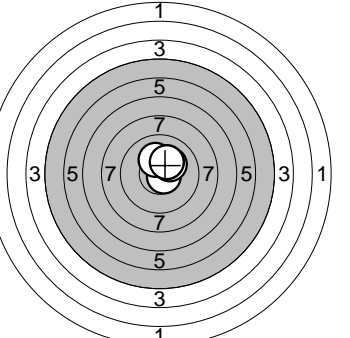
<b>Sölvesborgs Energi och vatten AB</b>			
---	--	--	--

Provs-kott 	1: 9,8 ↓ 2: 9,3 ↓ 3: 10,3* ↑ 4: 10,3* ↑ 5: 10,3* ↑ 6: 10,0 ↗ 7: 10,5* ↘ 8: 10,2* ↗ 9: 10,0 ↑ 10: 10,6* ↖	Provs-kott 
---	---	--

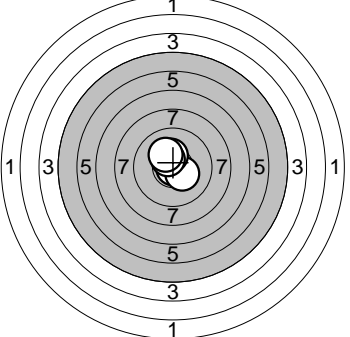
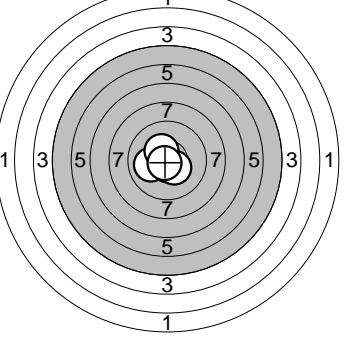
Serie: 98,0	Serie: 20,0
Summa: 0,0	Summa: 0,0

Skott/Skott 	1: 10,7* ↑ 2: 10,6* ↑ 3: 10,6* ↑ 4: 10,0 ↑ 5: 10,7* ↑	Skott/Skott 
---	---	--

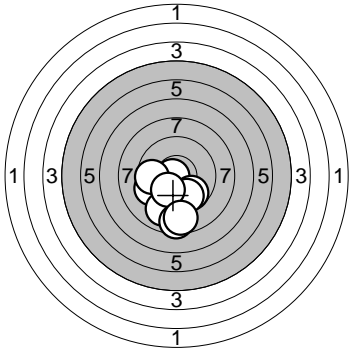
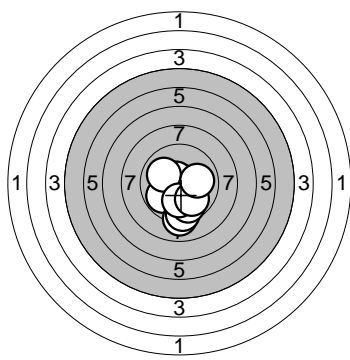
Serie: 50,0	Serie: 49,0
Summa: 50,0	Summa: 99,0

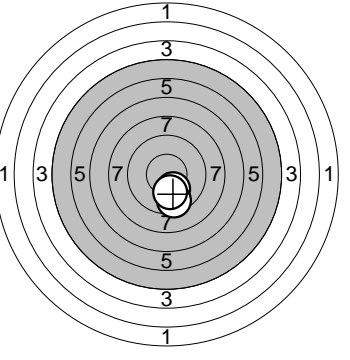
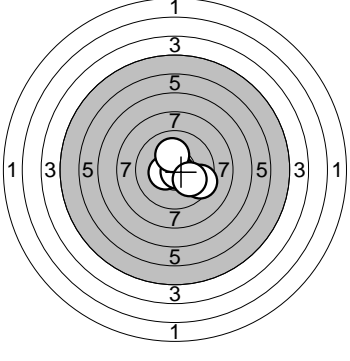
Skott/Skott 	11: 10,7* ↘ 12: 10,3* ↗ 13: 10,4* ↓ 14: 10,1 ↘ 15: 10,9* →	Skott/Skott 
--	--	---

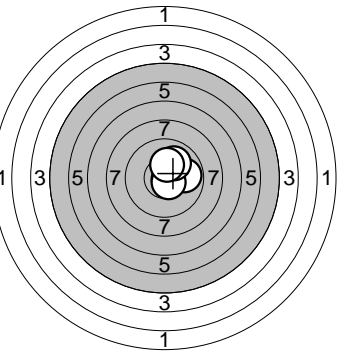
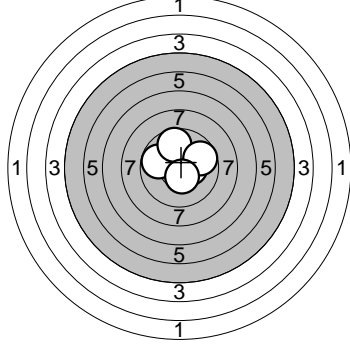
Serie: 50,0	Serie: 50,0
Summa: 149,0	Summa: 199,0

Skott/Skott 	21: 10,9* ↓ 22: 10,3* ↘ 23: 10,3* ↑ 24: 10,5* ↗ 25: 10,2* ↖	Skott/Skott 
--	---	---

Serie: 50,0	Serie: 50,0
Summa: 249,0	Summa: 299,0

Provs-kott 	1: 9,5 ← 2: 10,4* ↓ 3: 10,7* ← 4: 9,7 ← 5: 9,0 ↓ 6: 9,7 ↓ 7: 8,5 ↓ 8: 9,8 ↓ 9: 10,1 ↓ 10: 8,7 ↓ <hr/> Serie: 91,0 Summa: 0,0	Provs-kott 	11: 9,9 ← 12: 9,1 ↓ 13: 9,3 ↓ 14: 10,3* → 15: 10,7* ↗ 16: 9,6 ↓ 17: 10,0 ↖ 18: 10,0 ↓ 19: 9,9 ↓ 20: 10,0 → <hr/> Serie: 95,0 Summa: 0,0
---	---	--	--

Provs-kott 	21: 10,1 ↓ 22: 9,5 ↓ 23: 9,9 ↓ <hr/> Serie: 28,0 Summa: 0,0	Skott/Skott 	1: 9,4 ↘ 2: 10,4* ← 3: 10,8* ↘ 4: 10,2* ↑ 5: 10,0 ↘ <hr/> Serie: 49,0 Summa: 49,0
--	---	--	---

Skott/Skott 	6: 10,7* → 7: 9,9 → 8: 10,6* ↘ 9: 10,0 ↗ 10: 10,3* ↑ <hr/> Serie: 49,0 Summa: 98,0	Skott/Skott 	11: 9,8 ← 12: 10,3* → 13: 9,7 ↑ 14: 9,8 → 15: 10,4* ↓ <hr/> Serie: 47,0 Summa: 145,0
--	--	---	--

Skott/Skott

16: 10,3*	↑
17: 9,0	→
18: 10,0	↖
19: 9,9	→
20: 9,8	↖
Serie: 47,0	
Summa: 192,0	

Skott/Skott

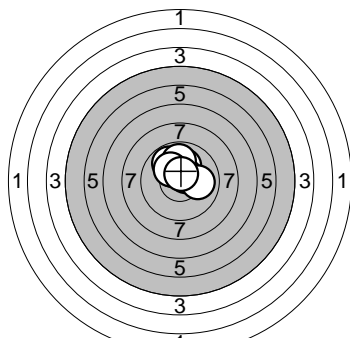
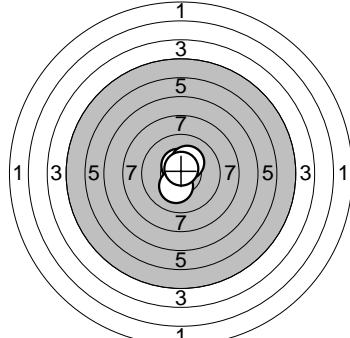
21: 10,4*	↘
22: 9,9	↑
23: 10,1	↖
24: 10,4*	←
25: 10,6*	↖
Serie: 49,0	
Summa: 241,0	

Skott/Skott

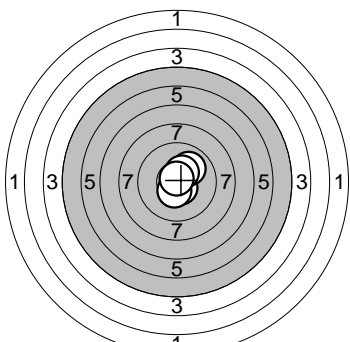
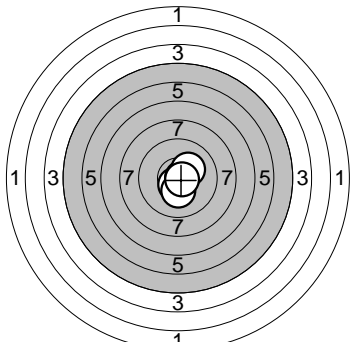
26: 10,6*	↓
27: 10,2*	↖
28: 9,4	↖
29: 10,3*	↘
30: 10,5*	↖
Serie: 49,0	
Summa: 290,0	

Empty target area for rounds 31-35.

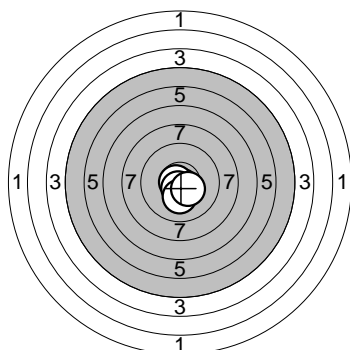
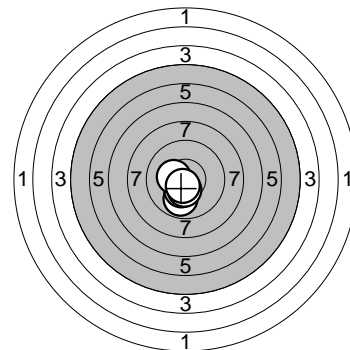


Provsrott 	1: 10,3* ↑ 2: 10,3* ↘ 3: 10,1 ↑ 4: 10,6* ↗ 5: 9,9 ↖ 6: 10,5* ↑ 7: 9,9 ↑ 8: 10,0 → 9: 10,2* ↗ 10: 10,6* ↑	Provsrott 	11: 10,5* ↑ 12: 10,3* ↗ 13: 10,2* ↓ 14: 10,7* ↑
--	---	---	--

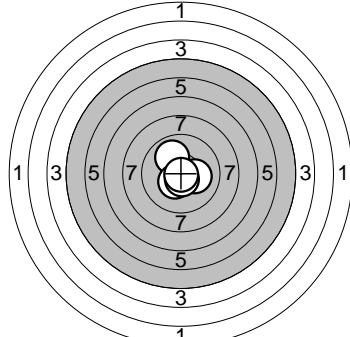
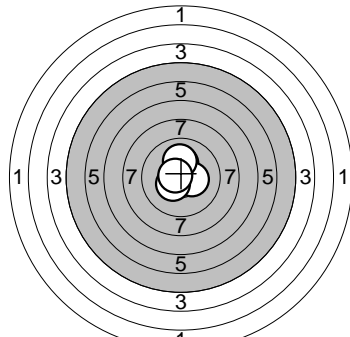
Serie: 98,0	Serie: 40,0
Summa: 0,0	Summa: 0,0

Skott/Skott 	1: 10,6* ↓ 2: 10,0 ↗ 3: 10,4* ↗ 4: 10,4* ↓ 5: 10,8* ↑	Skott/Skott 	6: 10,5* ↓ 7: 10,7* → 8: 10,2* ↗ 9: 10,3* ↓ 10: 10,7* →
---	---	--	---

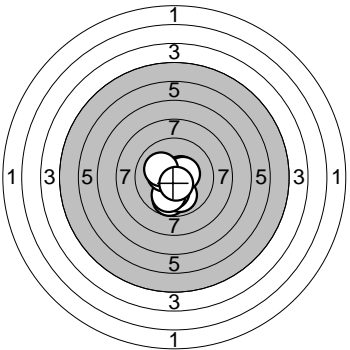
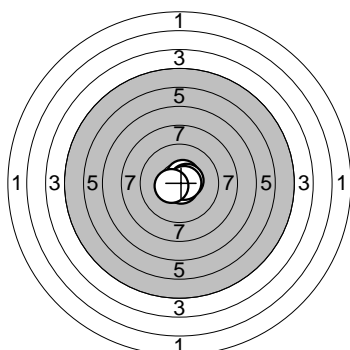
Serie: 50,0	Serie: 50,0
Summa: 50,0	Summa: 100,0

Skott/Skott 	11: 10,7* ↓ 12: 10,8* ← 13: 10,6* ↓ 14: 10,2* ↓ 15: 10,4* ↘	Skott/Skott 	16: 9,9 ↓ 17: 10,3* ↓ 18: 10,4* ↓ 19: 10,3* ← 20: 10,6* ↓
--	---	---	---

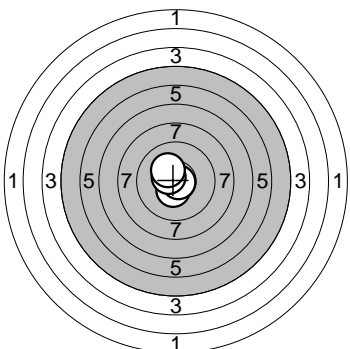
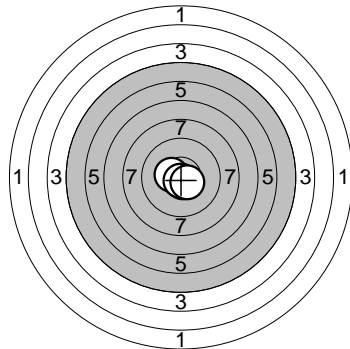
Serie: 50,0	Serie: 49,0
Summa: 150,0	Summa: 199,0

Skott/Skott 	21: 10,0 ↘ 22: 10,4* ↓ 23: 10,2* → 24: 10,6* ↓ 25: 10,9* ↓	Skott/Skott 	26: 10,2* ↑ 27: 10,3* → 28: 10,1 ↑ 29: 10,4* ↙ 30: 10,7* ←
--	--	---	--

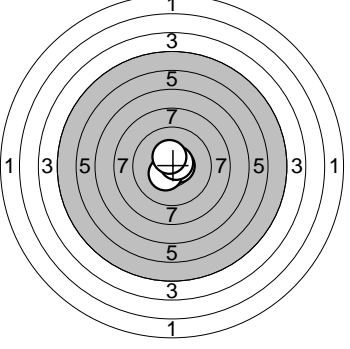
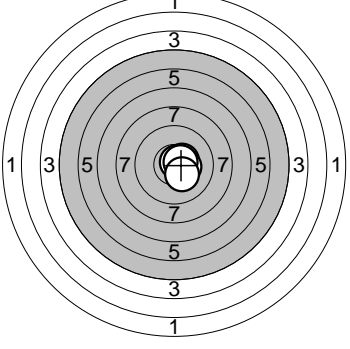
Serie: 50,0	Serie: 50,0
Summa: 249,0	Summa: 299,0

Provsnitt 	1: 9,8 ↓ 2: 10,0 ↓ 3: 10,1 ↓ 4: 10,0 ↓ 5: 10,7* ↖ 6: 10,5* ↗ 7: 10,4* ← 8: 10,5* → 9: 10,1 ↗ 10: 10,6* ↓	Skott/Skott 
--	---	---

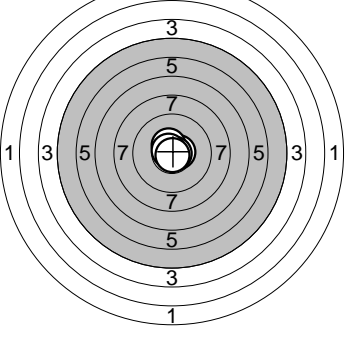
Serie: 99,0	Serie: 50,0
Summa: 0,0	Summa: 50,0

Skott/Skott 	6: 10,8* ← 7: 10,5* ↓ 8: 10,8* → 9: 10,5* ↗ 10: 10,3* ↗	Skott/Skott 
---	---	--

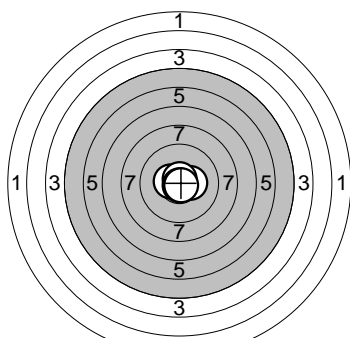
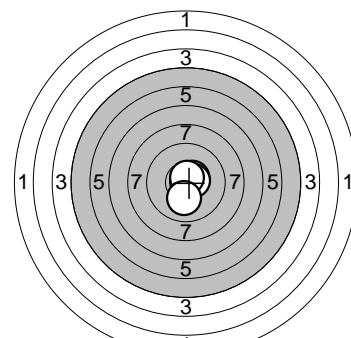
Serie: 50,0	Serie: 50,0
Summa: 100,0	Summa: 150,0

Skott/Skott 	16: 10,7* → 17: 10,6* → 18: 10,4* ↘ 19: 10,7* ↗ 20: 10,5* ↑	Skott/Skott 
--	---	---

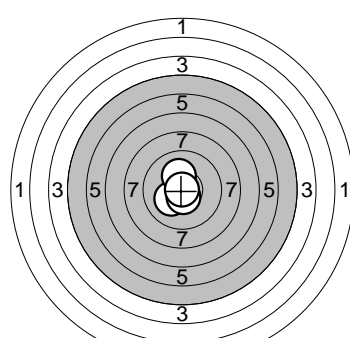
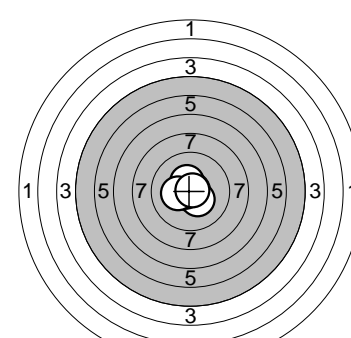
Serie: 50,0	Serie: 50,0
Summa: 200,0	Summa: 250,0

Skott/Skott 	26: 10,6* → 27: 10,5* ↑ 28: 10,8* → 29: 10,8* ↗ 30: 10,8* ↓	
--	---	--

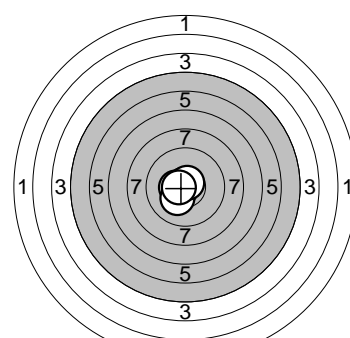
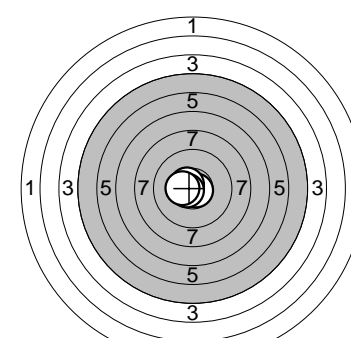
Serie: 50,0	
Summa: 300,0	

Provs skott 	Skott/Skott 1: 10,5* ← 2: 10,3* → 3: 10,7* ↑ 4: 10,8* ↓ 5: 10,8* ↓	Skott/Skott 
--	---	---

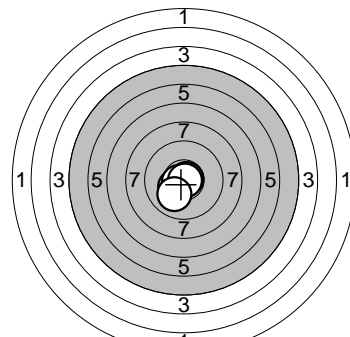
Serie: 50,0	Serie: 50,0
Summa: 0,0	Summa: 50,0

Skott/Skott 	Skott/Skott 6: 10,6* ↓ 7: 10,2* ↙ 8: 10,5* ↓ 9: 10,2* ↑ 10: 10,9* ↗	Skott/Skott 
---	--	--

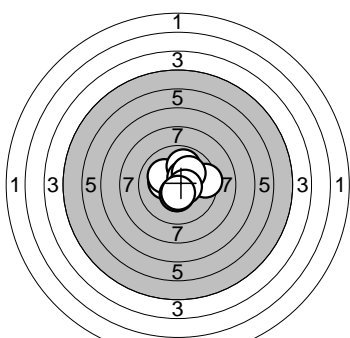
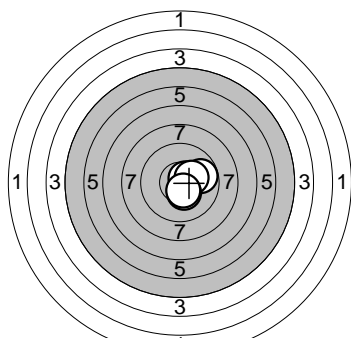
Serie: 50,0	Serie: 50,0
Summa: 100,0	Summa: 150,0

Skott/Skott 	Skott/Skott 16: 10,7* ↙ 17: 10,5* ← 18: 10,2* ↘ 19: 10,7* ↗ 20: 10,6* ←	Skott/Skott 
--	--	---

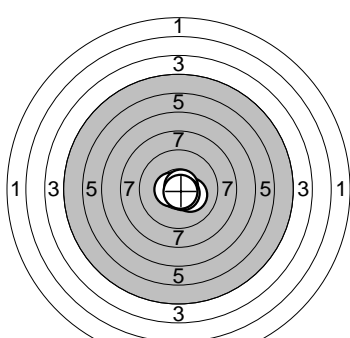
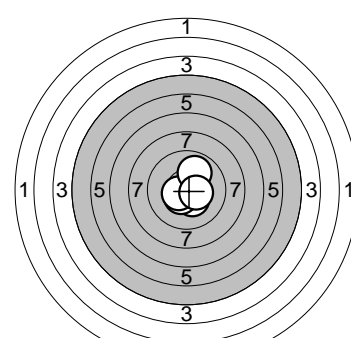
Serie: 50,0	Serie: 50,0
Summa: 200,0	Summa: 250,0

Skott/Skott 	Skott/Skott 26: 10,8* → 27: 10,4* ↙ 28: 10,7* ← 29: 10,9* ↘ 30: 10,1 ↘	
--	---	--

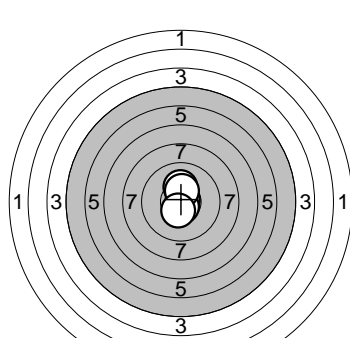
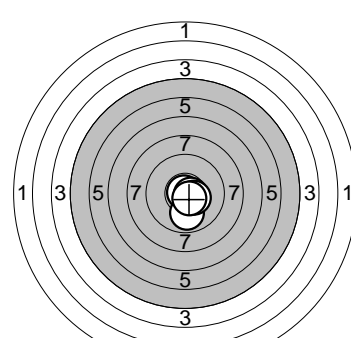
Serie: 50,0	
Summa: 300,0	

Provs-kott 	1: 10,3* ← 2: 10,4* ↓ 3: 10,1 ↖ 4: 10,4* ↓ 5: 9,9 ↑ 6: 9,5 → 7: 10,4* ↗ 8: 10,1 ↗ 9: 10,5* → 10: 10,5* ↓	Skott/Skott 	1: 9,8 → 2: 10,6* ↗ 3: 10,3* → 4: 10,3* ↓ 5: 10,5* ↓
---	---	---	--

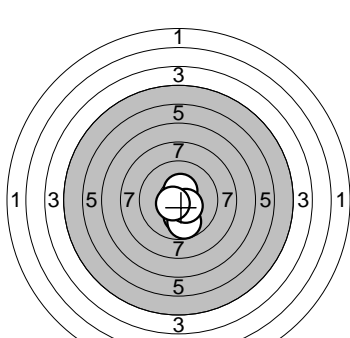
Serie: 98,0	Serie: 49,0
Summa: 0,0	Summa: 49,0

Skott/Skott 	6: 10,2* → 7: 10,6* ← 8: 10,8* ↗ 9: 10,6* ↓ 10: 10,8* ↓	Skott/Skott 	11: 10,3* ↓ 12: 10,4* ↓ 13: 10,5* ← 14: 10,0 ↑ 15: 10,4* →
---	---	--	--

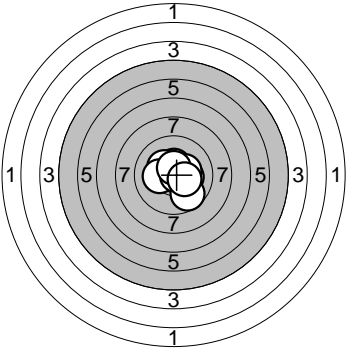
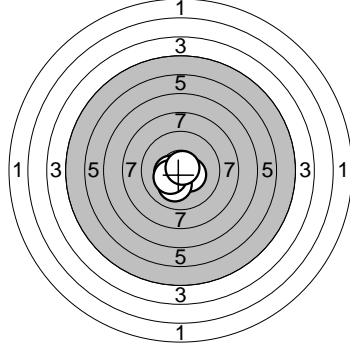
Serie: 50,0	Serie: 50,0
Summa: 99,0	Summa: 149,0

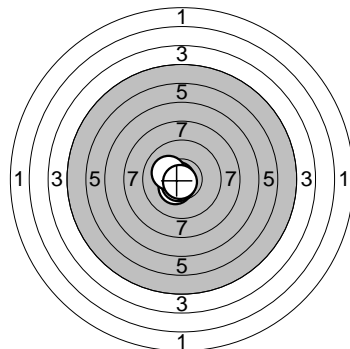
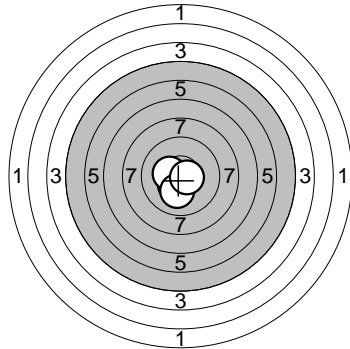
Skott/Skott 	16: 10,8* ↗ 17: 10,7* ↓ 18: 10,2* ↑ 19: 10,4* ↑ 20: 10,4* ↓	Skott/Skott 	21: 10,9* ↗ 22: 10,6* → 23: 9,9 ↓ 24: 10,4* → 25: 10,6* ↓
--	---	---	---

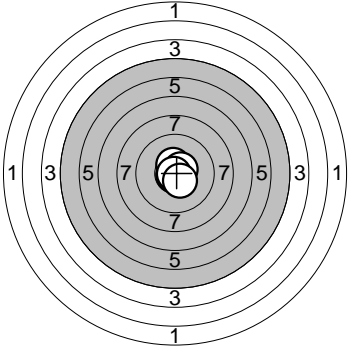
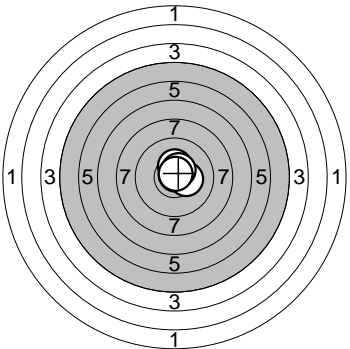
Serie: 50,0	Serie: 49,0
Summa: 199,0	Summa: 248,0

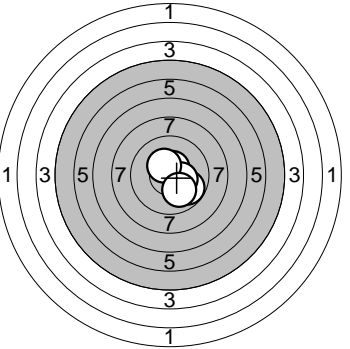
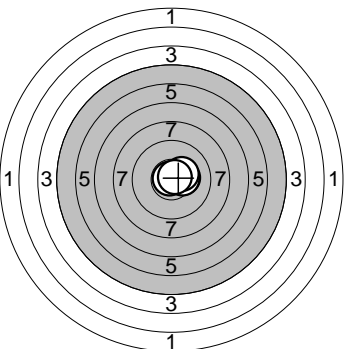
Skott/Skott 	26: 10,5* ↑ 27: 10,1 ↓ 28: 9,8 ↓ 29: 10,4* ↓ 30: 10,6* ↖		
--	--	--	--

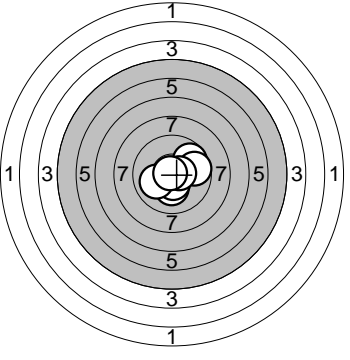
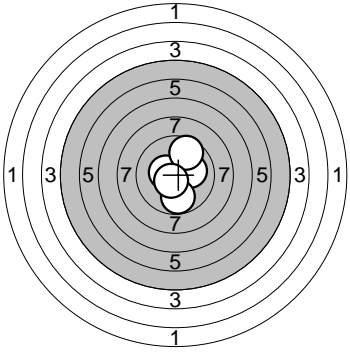
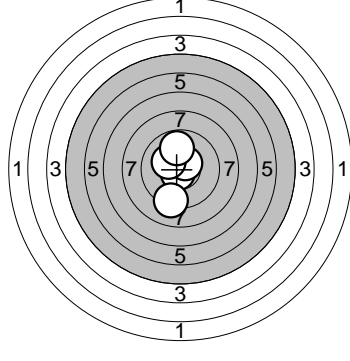
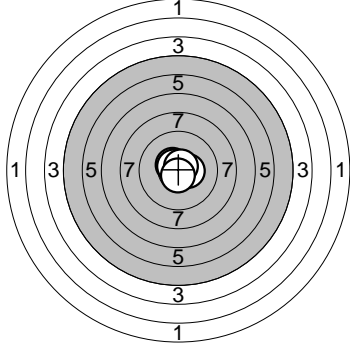
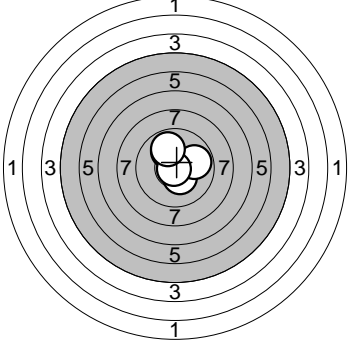
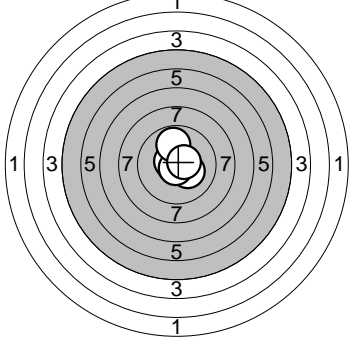
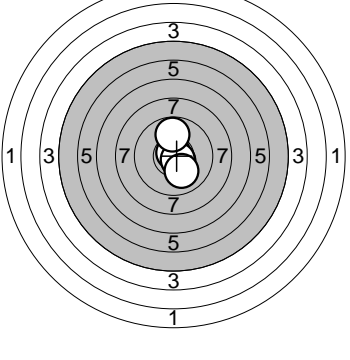
Serie: 49,0	
Summa: 297,0	

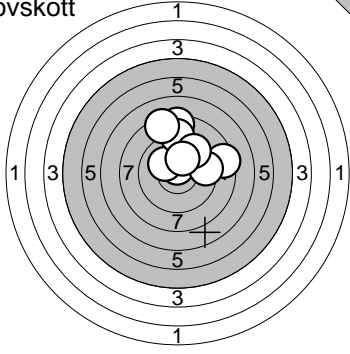
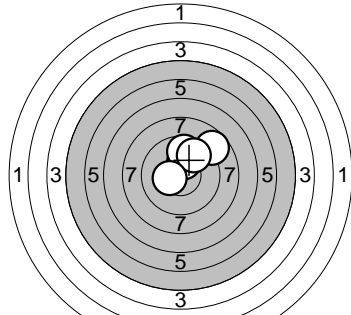
<b>Provskott</b> 	1: 10,9* → 2: 10,5* ↑ 3: 10,3* ↗ 4: 10,2* ← 5: 10,8* → 6: 10,2* → 7: 10,3* → 8: 9,7 ↓ 9: 10,6* ↑ 10: 10,3* → Serie: 99,0 Summa: 0,0	<b>Provskott</b> 	11: 10,4* → 12: 10,1 ↓ 13: 10,5* ← 14: 10,3* ← 15: 10,8* ↗ Serie: 50,0 Summa: 0,0
---	--	--	---

<b>Skott/Skott</b> 	1: 10,4* ↓ 2: 10,6* ↓ 3: 10,8* ← 4: 10,2* ↖ 5: 10,8* ↓ Serie: 50,0 Summa: 50,0	<b>Skott/Skott</b> 	6: 10,8* ← 7: 10,4* ↓ 8: 10,4* ← 9: 10,1 ↓ 10: 10,6* → Serie: 50,0 Summa: 100,0
--	--	---	---

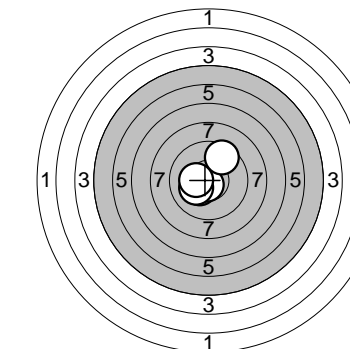
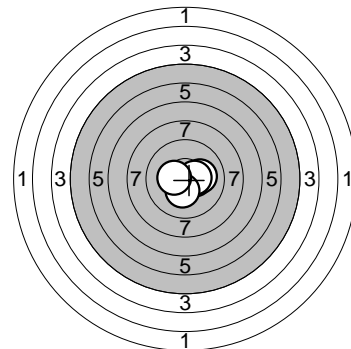
<b>Skott/Skott</b> 	11: 10,5* ↑ 12: 10,8* ↓ 13: 10,6* → 14: 10,9* ← 15: 10,5* ↓ Serie: 50,0 Summa: 150,0	<b>Skott/Skott</b> 	16: 10,8* ↗ 17: 10,3* → 18: 10,4* ↑ 19: 10,5* ↗ 20: 10,8* ↗ Serie: 50,0 Summa: 200,0
---	--	--	--

<b>Skott/Skott</b> 	21: 9,8 → 22: 10,6* ↑ 23: 10,3* → 24: 10,4* ↗ 25: 10,0 ↓ Serie: 49,0 Summa: 249,0	<b>Skott/Skott</b> 	26: 10,3* → 27: 10,9* ← 28: 10,4* → 29: 10,3* → 30: 10,7* → Serie: 50,0 Summa: 299,0
---	---	--	--

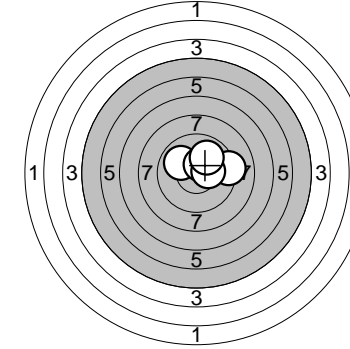
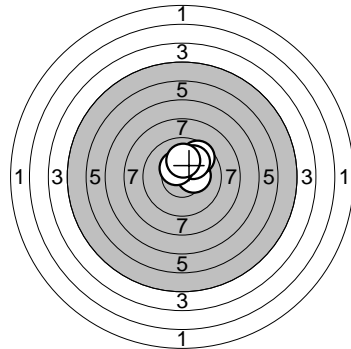
<b>Provskott</b> 	1: 9,8 ↗ 2: 9,7 → 3: 10,2* ↓ 4: 10,5* ↓ 5: 10,1 ← 6: 10,6* → 7: 10,9* ↖ <hr/> Serie: 68,0 Summa: 0,0	<b>Skott/Skott</b> 	1: 10,5* ← 2: 10,1 → 3: 9,6 ↑ 4: 9,8 ↓ 5: 10,6* ↘ <hr/> Serie: 48,0 Summa: 48,0
<b>Skott/Skott</b> 	6: 10,7* ↓ 7: 10,6* ↗ 8: 9,2 ↓ 9: 10,3* ↖ 10: 9,9 ↑ <hr/> Serie: 48,0 Summa: 96,0	<b>Skott/Skott</b> 	11: 10,5* ↖ 12: 10,4* → 13: 10,7* ↖ 14: 10,7* ↗ 15: 10,7* ↓ <hr/> Serie: 50,0 Summa: 146,0
<b>Skott/Skott</b> 	16: 10,1 ↑ 17: 10,4* ↓ 18: 9,9 → 19: 10,8* ↓ 20: 9,9 ↗ <hr/> Serie: 48,0 Summa: 194,0	<b>Skott/Skott</b> 	21: 10,3* → 22: 10,6* ↖ 23: 10,8* ↓ 24: 9,9 ↑ 25: 10,5* → <hr/> Serie: 49,0 Summa: 243,0
<b>Skott/Skott</b> 	26: 10,8* ↑ 27: 10,5* ↘ 28: 10,6* ↘ 29: 10,0 ↓ 30: 9,8 ↑ <hr/> Serie: 49,0 Summa: 292,0		

Provsrott 	1: 10,7* ↑ 2: 8,4 ↑ 3: 0,0 ↓ 4: 10,1 ↖ 5: 8,5 → 6: 9,4 → 7: 9,0 ↑ 8: 9,5 ↗ 9: 10,1 ↑ 10: 8,3 ↑	Provsrott 	11: 8,8 ↗ 12: 10,3* ↑ 13: 9,7 ↑ 14: 9,7 ↗ 15: 10,4* ←
--	---	---	---

Serie: 81,0	Serie: 46,0
Summa: 0,0	Summa: 0,0

Skott/Skott 	1: 10,3* ↙ 2: 10,7* ↓ 3: 9,6 ↗ 4: 10,2* ↙ 5: 10,3* ←	Skott/Skott 	6: 10,4* → 7: 10,2* → 8: 10,4* → 9: 10,3* ↓ 10: 10,4* ←
---	--	--	---

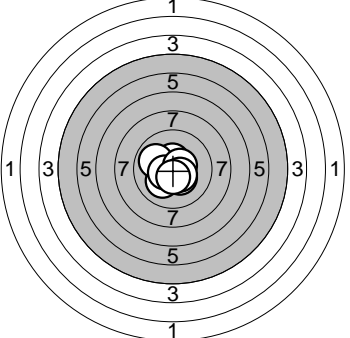
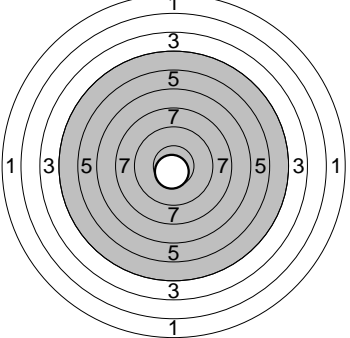
Serie: 49,0	Serie: 50,0
Summa: 49,0	Summa: 99,0

Skott/Skott 	11: 10,0 ↖ 12: 9,2 → 13: 10,4* ↗ 14: 10,3* → 15: 10,0 ↗	Skott/Skott 	16: 10,3* → 17: 9,7 ↗ 18: 10,0 ↗ 19: 10,4* ↖ 20: 10,1 ↑
--	---	---	---

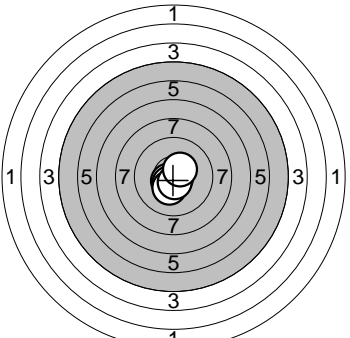
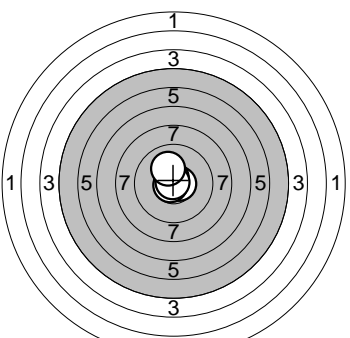
Serie: 49,0	Serie: 49,0
Summa: 148,0	Summa: 197,0

Skott/Skott 	21: 10,2* ↗ 22: 10,0 ↓ 23: 9,5 ↗ 24: 10,7* ↘ 25: 10,1 ↗	Skott/Skott 	26: 7,9 → 27: 9,3 → 28: 10,2* ↑ 29: 10,2* ↑ 30: 10,4* ↗
--	---	---	---

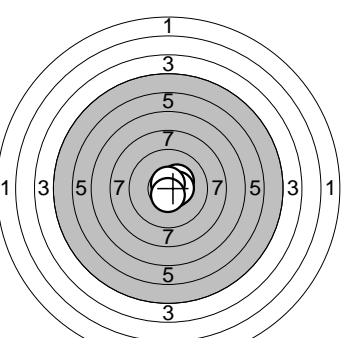
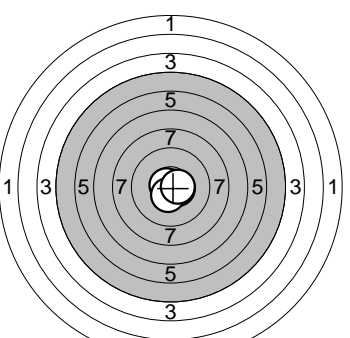
Serie: 49,0	Serie: 46,0
Summa: 246,0	Summa: 292,0

Provskott		Provskott	
	<p>1: 10,5* ↓</p> <p>2: 10,3* ↘</p> <p>3: 10,5* ↑</p> <p>4: 10,6* →</p> <p>5: 10,1 ↘</p> <p>6: 10,0 ↙</p> <p>7: 10,5* ←</p> <p>8: 10,5* →</p> <p>9: 10,4* ↘</p> <p>10: 10,5* ↓</p>		<p>11: 10,6* ↓</p>
	Serie: 100,0		Serie: 10,0
	Summa: 0,0		Summa: 0,0

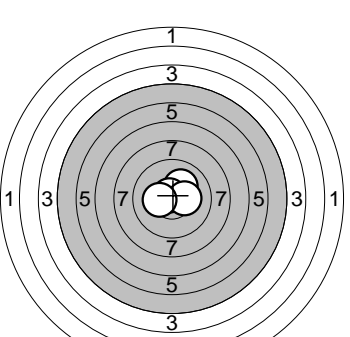
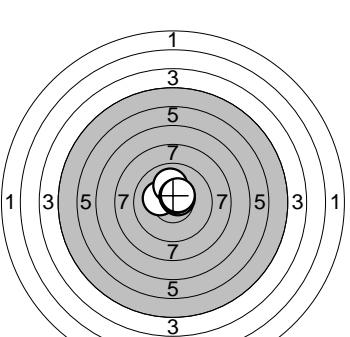
--	--	--	--

Skott/Skott		Skott/Skott	
	<p>1: 10,6* ↙</p> <p>2: 10,5* ↘</p> <p>3: 10,3* ↓</p> <p>4: 10,6* ↓</p> <p>5: 10,5* ↗</p>		<p>6: 10,6* →</p> <p>7: 10,6* ↗</p> <p>8: 10,8* ↙</p> <p>9: 10,9* ↗</p> <p>10: 10,2* ↗</p>
	Serie: 50,0		Serie: 50,0
	Summa: 50,0		Summa: 100,0

--	--	--	--

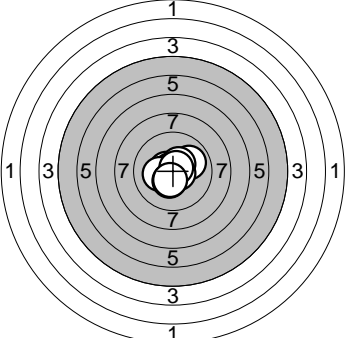
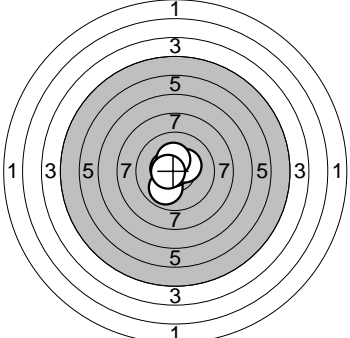
Skott/Skott		Skott/Skott	
	<p>11: 10,4* ↗</p> <p>12: 10,6* →</p> <p>13: 10,5* →</p> <p>14: 10,7* ↑</p> <p>15: 10,6* ↓</p>		<p>16: 10,5* →</p> <p>17: 10,8* →</p> <p>18: 10,7* ↙</p> <p>19: 10,5* ↓</p> <p>20: 10,5* →</p>
	Serie: 50,0		Serie: 50,0
	Summa: 150,0		Summa: 200,0

--	--	--	--

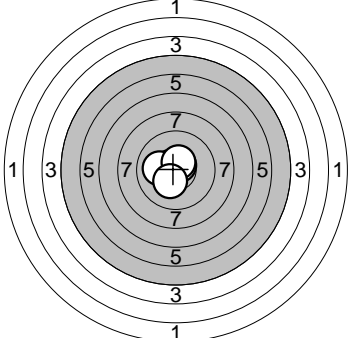
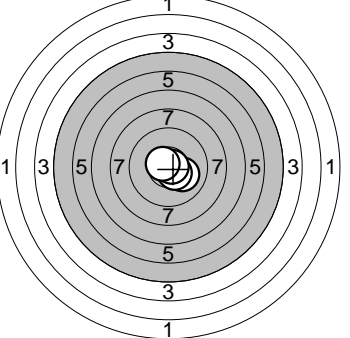
Skott/Skott		Skott/Skott	
	<p>21: 10,8* ↑</p> <p>22: 10,2* ↗</p> <p>23: 10,8* ↘</p> <p>24: 10,3* →</p> <p>25: 10,3* ←</p>		<p>26: 10,2* ↙</p> <p>27: 10,6* ↗</p> <p>28: 10,1 ↑</p> <p>29: 10,6* ↗</p> <p>30: 10,5* ↗</p>
	Serie: 50,0		Serie: 50,0
	Summa: 250,0		Summa: 300,0

--	--	--	--

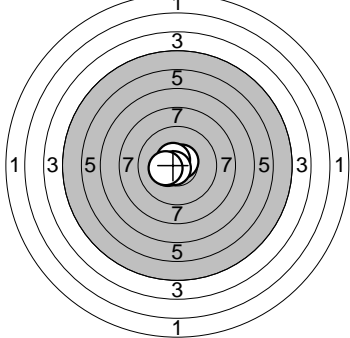
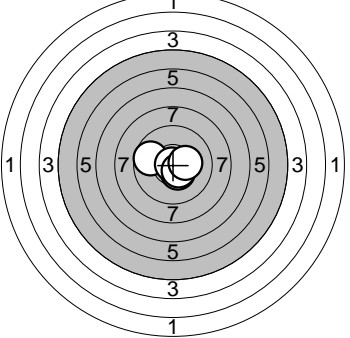


Provs-kott 	1: 10,0 → 2: 10,5* ← 3: 10,6* ← 4: 10,8* ↖ 5: 10,5* ↗ 6: 10,3* ← 7: 10,6* → 8: 10,7* ↗ 9: 10,4* ↓ 10: 10,5* ↓	Provs-kott 	11: 9,9 ↓ 12: 10,9* ↗ 13: 10,5* ← 14: 10,4* → 15: 10,3* ↑ 16: 10,6* ←
---	--	--	--

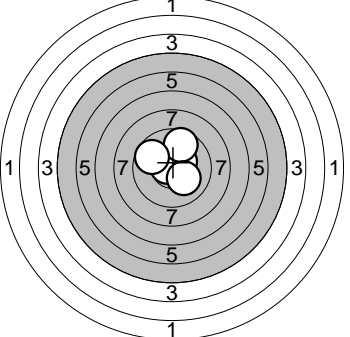
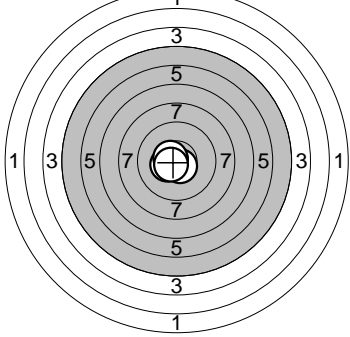
Serie: 100,0	Serie: 59,0
Summa: 0,0	Summa: 0,0

Skott/Skott 	1: 10,7* ↖ 2: 10,1 ← 3: 10,6* ↗ 4: 10,5* ↑ 5: 10,3* ↓	Skott/Skott 	6: 10,1 → 7: 10,7* ↓ 8: 10,5* ↓ 9: 10,8* → 10: 10,6* ↗
---	---	--	--

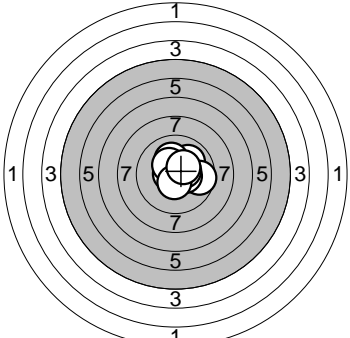
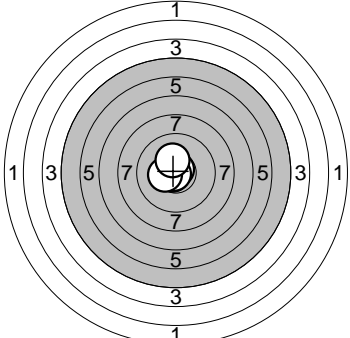
Serie: 50,0	Serie: 50,0
Summa: 50,0	Summa: 100,0

Skott/Skott 	11: 10,7* ↗ 12: 10,6* ↖ 13: 10,4* ← 14: 10,7* ↙ 15: 10,3* ←	Skott/Skott 	16: 10,4* ↓ 17: 9,8 ← 18: 10,9* ↗ 19: 10,5* ↓ 20: 10,3* →
--	---	---	---

Serie: 50,0	Serie: 49,0
Summa: 150,0	Summa: 199,0

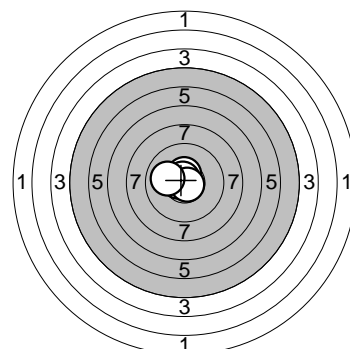
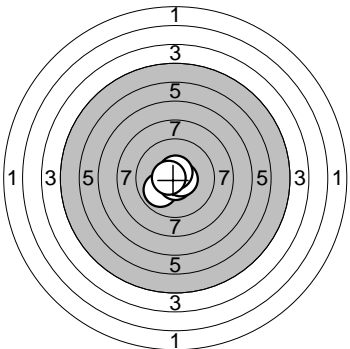
Skott/Skott 	21: 10,4* ↗ 22: 10,7* ← 23: 9,7 ↑ 24: 9,8 ↖ 25: 10,1 ↘	Skott/Skott 	26: 10,6* ↓ 27: 10,6* ← 28: 10,4* ← 29: 10,6* ↖ 30: 10,6* ↖
--	--	---	---

Serie: 48,0	Serie: 50,0
Summa: 247,0	Summa: 297,0

Provs-kott 	1: 10,0 ↗ 2: 10,2* ↑ 3: 9,7 → 4: 10,4* → 5: 10,5* → 6: 10,7* ← 7: 10,4* ↗ 8: 10,5* ↓ 9: 10,4* ↗	Skott/Skott 	1: 10,8* ↙ 2: 10,8* ↗ 3: 10,8* ↙ 4: 10,4* ← 5: 10,3* ↑
---	---	---	--

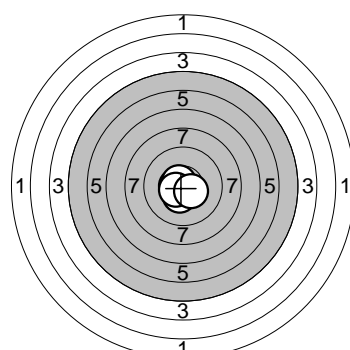
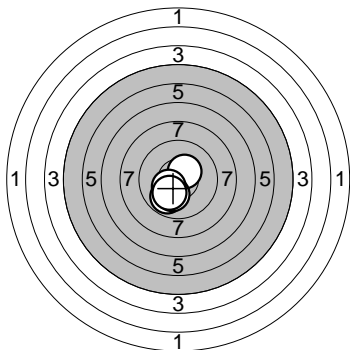
Serie: 89,0  
Summa: 0,0

Serie: 50,0  
Summa: 50,0

Skott/Skott 	6: 10,5* ↑ 7: 10,6* ← 8: 10,7* ↗ 9: 10,7* ↘ 10: 10,0 ←	Skott/Skott 	11: 10,0 ↙ 12: 10,7* ↓ 13: 10,6* → 14: 10,7* ↑ 15: 10,6* ←
---	--	--	--

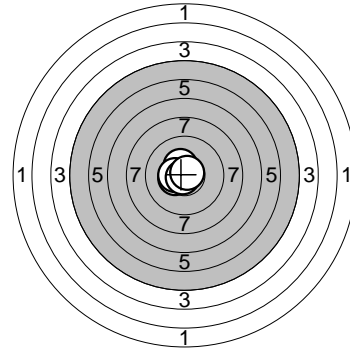
Serie: 50,0  
Summa: 100,0

Serie: 50,0  
Summa: 150,0

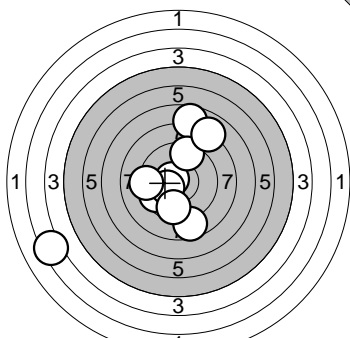
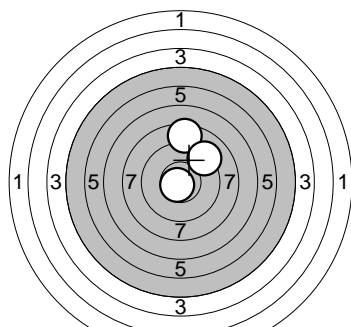
Skott/Skott 	16: 10,6* ← 17: 10,4* ↓ 18: 10,7* ↗ 19: 10,5* ↙ 20: 10,4* ↘	Skott/Skott 	21: 9,9 ↙ 22: 10,4* ↗ 23: 10,1 ↓ 24: 10,3* ↙ 25: 10,1 ↙
--	---	---	---

Serie: 50,0  
Summa: 200,0

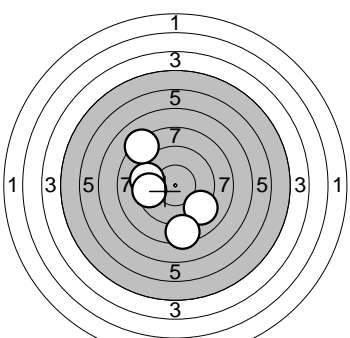
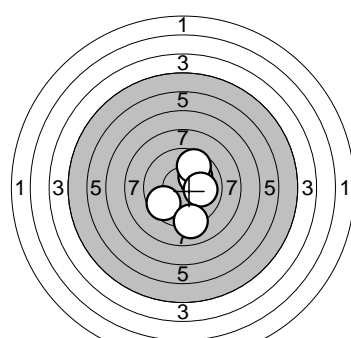
Serie: 49,0  
Summa: 249,0

Skott/Skott 	26: 10,4* ← 27: 10,4* ↗ 28: 10,4* ← 29: 10,8* ↘ 30: 10,8* ↗		
--	---	--	--

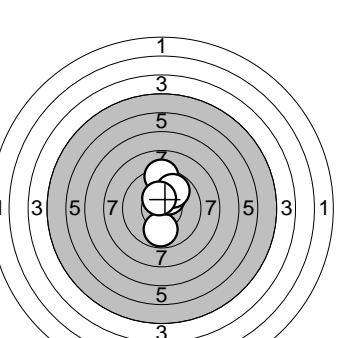
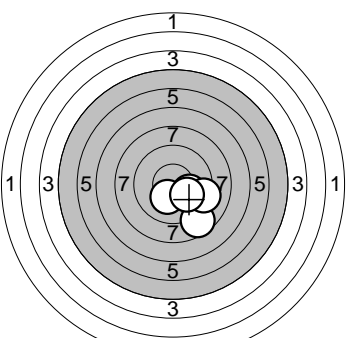
Serie: 50,0  
Summa: 299,0

Provs-kott 	1: 10,6* ← 2: 8,6 ↓ 3: 9,6 ← 4: 3,4 ← 5: 10,3* ← 6: 9,6 ↓ 7: 7,7 ↑ 8: 9,3 ← 9: 9,4 ↑ 10: 8,0 ↗	Provs-kott 	11: 8,5 ↑ 12: 9,2 ↗ 13: 10,7* ↙
---	---	--	---------------------------------------

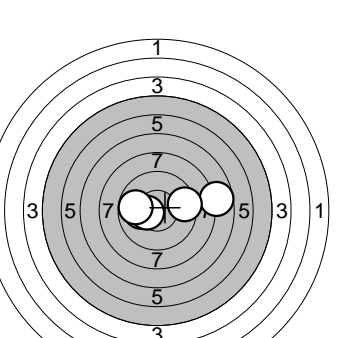
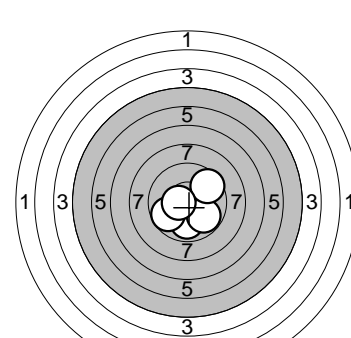
Serie: 82,0	Serie: 27,0
Summa: 0,0	Summa: 0,0

Skott/Skott 	1: 9,4 ← 2: 9,1 ↘ 3: 8,3 ↗ 4: 8,4 ↓ 5: 9,5 ←	Skott/Skott 	6: 10,1 ↗ 7: 9,6 ↙ 8: 9,7 ↑ 9: 10,0 → 10: 9,1 ↓
---	--	--	---

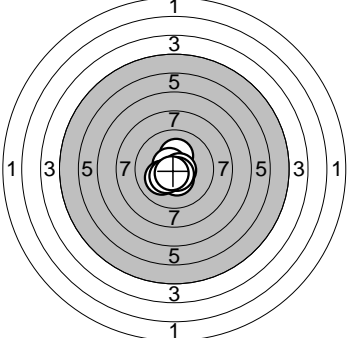
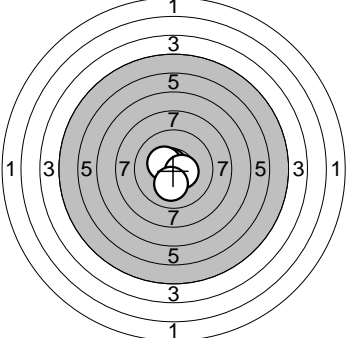
Serie: 43,0	Serie: 47,0
Summa: 43,0	Summa: 90,0

Skott/Skott 	11: 9,3 ↑ 12: 9,8 ↓ 13: 10,3* ↗ 14: 9,8 ↗ 15: 10,4* ↑	Skott/Skott 	16: 8,6 ↘ 17: 10,0 → 18: 9,2 → 19: 10,2* ↓ 20: 10,0 ↘
--	---	---	---

Serie: 47,0	Serie: 47,0
Summa: 137,0	Summa: 184,0

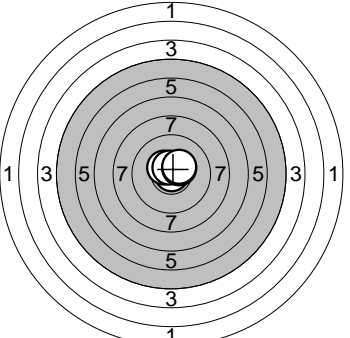
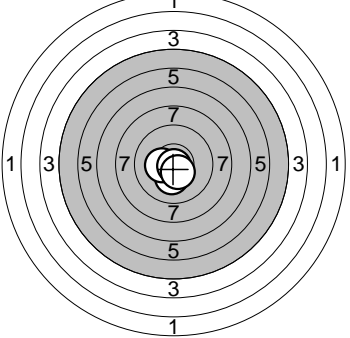
Skott/Skott 	21: 10,1 ← 22: 10,4* ← 23: 7,7 → 24: 9,4 → 25: 9,8 ←	Skott/Skott 	26: 9,9 ↓ 27: 9,8 ↙ 28: 9,8 ↘ 29: 9,6 ↗ 30: 10,5* ←
--	--	---	---

Serie: 45,0	Serie: 46,0
Summa: 229,0	Summa: 275,0

Provsrott 	1: 10,4* ↓ 2: 10,2* ↑ 3: 10,6* ↗ 4: 10,7* → 5: 10,1 ← 6: 10,6* ↓ 7: 10,4* ↙ 8: 10,7* ↓	Skott/Skott 	1: 10,8* ↓ 2: 10,7* ↗ 3: 10,4* ↗ 4: 10,5* → 5: 10,1 ↓
--	---	---	---

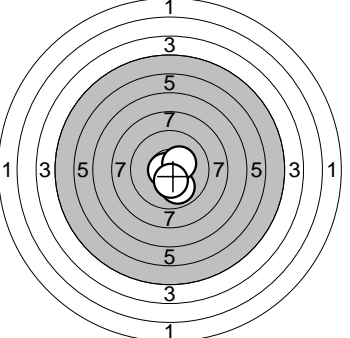
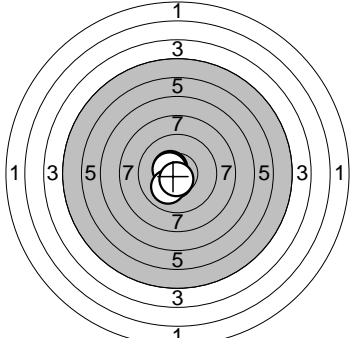
Serie:	80,0
Summa:	0,0

Serie:	50,0
Summa:	50,0

Skott/Skott 	6: 10,9* ↓ 7: 10,5* ↗ 8: 10,6* ↑ 9: 10,4* ↗ 10: 10,4* ↗	Skott/Skott 	11: 10,2* ↓ 12: 10,8* ↓ 13: 10,3* ← 14: 10,8* ↓ 15: 10,5* ↓
---	---	--	---

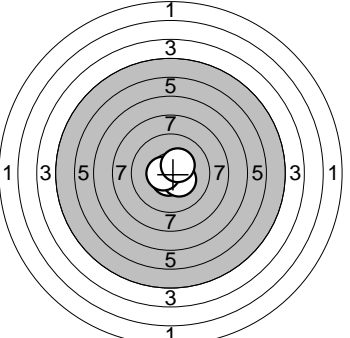
Serie:	50,0
Summa:	100,0

Serie:	50,0
Summa:	150,0

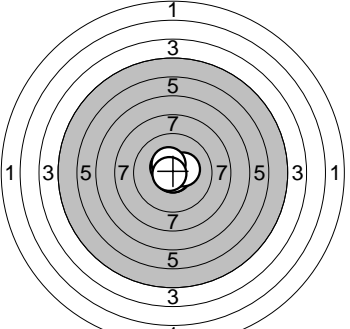
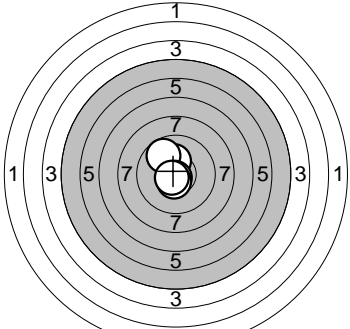
Skott/Skott 	16: 10,3* ↓ 17: 9,9 ↓ 18: 10,7* ← 19: 10,3* ↗ 20: 10,4* ↓	Skott/Skott 	21: 10,5* ↗ 22: 10,6* ↓ 23: 10,5* ↗ 24: 10,1 ↓ 25: 10,6* ↓
--	---	---	--

Serie:	49,0
Summa:	199,0

Serie:	50,0
Summa:	249,0

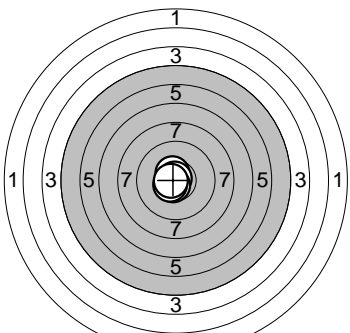
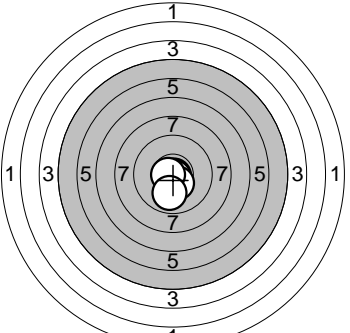
Skott/Skott 	26: 10,6* → 27: 10,6* ↓ 28: 10,4* ↓ 29: 10,6* ← 30: 10,4* ↗		
--	---	--	--

Serie:	50,0
Summa:	299,0

Provsrott 	1: 10,9* ↑ 2: 10,8* ↓ 3: 10,4* → 4: 10,6* ↗ 5: 10,5* ↑ 6: 10,7* ←	Skott/Skott 	1: 10,3* ↑ 2: 9,8 ↗ 3: 10,8* ↓ 4: 10,6* ↓ 5: 10,7* ↙
--	--	---	--

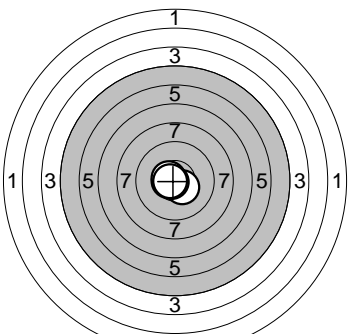
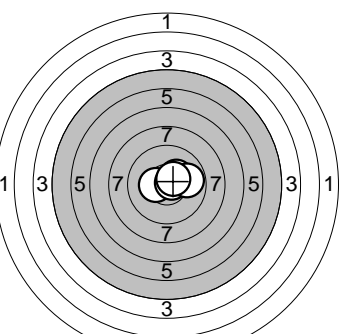
Serie:	60,0
Summa:	0,0

Serie:	49,0
Summa:	49,0

Skott/Skott 	6: 10,5* ↑ 7: 10,9* ↗ 8: 10,7* ↓ 9: 10,6* ↙ 10: 10,7* ←	Skott/Skott 	11: 10,9* ↘ 12: 10,8* ↓ 13: 10,4* ↘ 14: 10,7* ← 15: 9,9 ↓
---	---	--	---

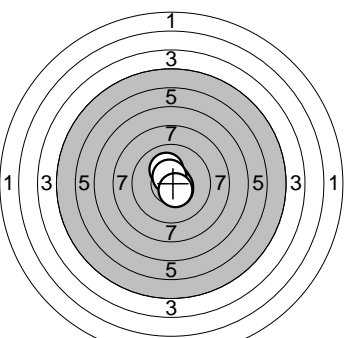
Serie:	50,0
Summa:	99,0

Serie:	49,0
Summa:	148,0

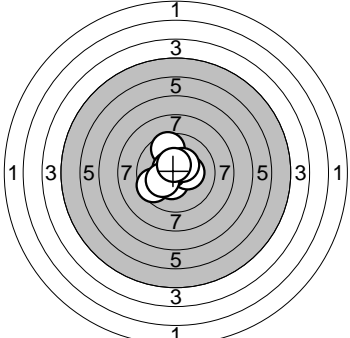
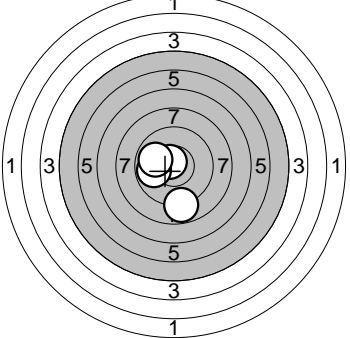
Skott/Skott 	16: 10,4* ↘ 17: 10,6* ← 18: 10,8* ← 19: 10,6* ↗ 20: 10,7* ←	Skott/Skott 	21: 10,4* ← 22: 10,7* → 23: 10,3* ↗ 24: 9,9 → 25: 10,5* ↗
--	---	---	---

Serie:	50,0
Summa:	198,0

Serie:	49,0
Summa:	247,0

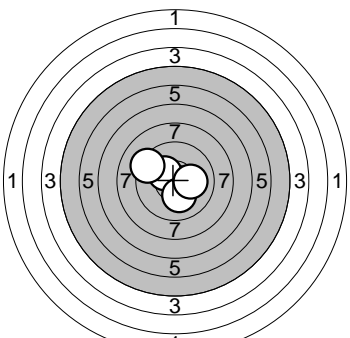
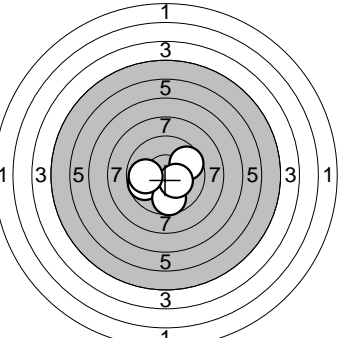
Skott/Skott 	26: 10,5* ↘ 27: 10,2* ↗ 28: 10,6* ↘ 29: 10,6* ↑ 30: 10,5* ↘		
--	---	--	--

Serie:	50,0
Summa:	297,0

Provs-kott 	1: 9,6 ↙ 2: 10,4* ↓ 3: 10,5* ↗ 4: 9,7 ↑ 5: 10,3* → 6: 10,7* ← 7: 10,6* ↖ 8: 10,2* ↙ 9: 10,4* ↗ 10: 10,6* ↑	Skott/Skott 	1: 10,2* ← 2: 10,7* ↗ 3: 9,9 ← 4: 9,9 ↖ 5: 8,8 ↓
---	---	---	--

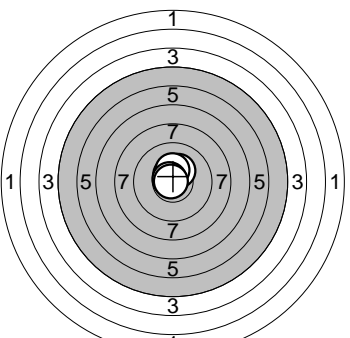
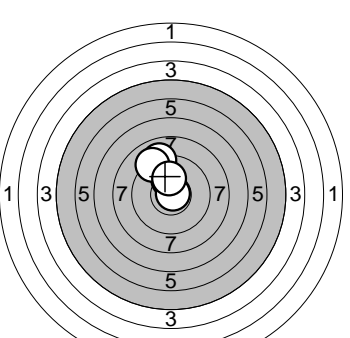
Serie: 98,0  
Summa: 0,0

Serie: 46,0  
Summa: 46,0

Skott/Skott 	6: 10,7* → 7: 10,3* ↗ 8: 10,2* ↓ 9: 10,1 → 10: 9,3 ↖	Skott/Skott 	11: 9,8 ← 12: 9,7 ↓ 13: 9,7 → 14: 10,3* → 15: 9,9 ←
---	--	--	---

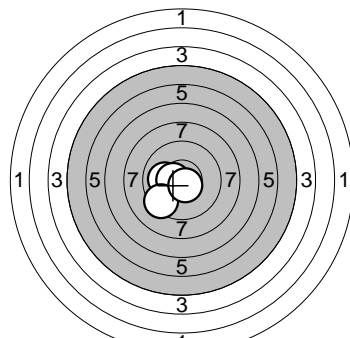
Serie: 49,0  
Summa: 95,0

Serie: 46,0  
Summa: 141,0

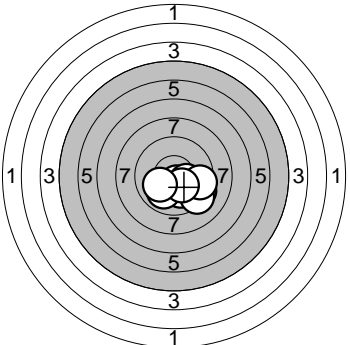
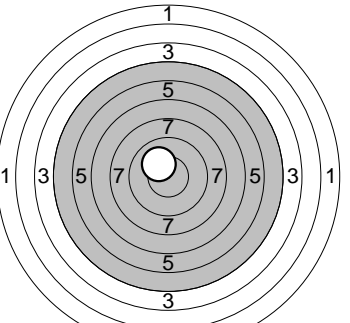
Skott/Skott 	16: 10,6* ↑ 17: 10,3* ↗ 18: 10,4* ↑ 19: 10,8* ↖ 20: 10,9* ←	Skott/Skott 	21: 10,2* ↑ 22: 9,1 ↗ 23: 9,1 ↖ 24: 10,9* → 25: 10,1 ↑
--	---	---	--

Serie: 50,0  
Summa: 191,0

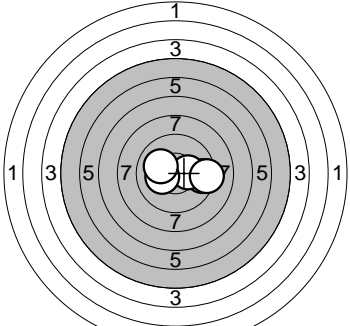
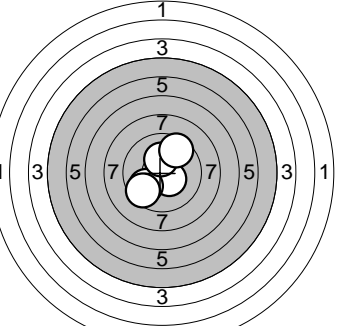
Serie: 48,0  
Summa: 239,0

Skott/Skott 	26: 10,1 ← 27: 10,6* ↙ 28: 10,5* ← 29: 9,4 ↙ 30: 10,6* ↘		
--	--	--	--

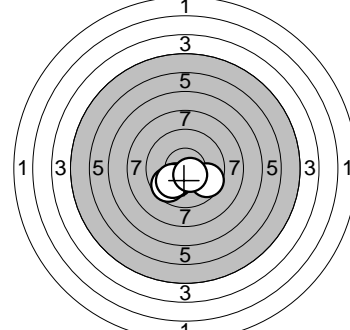
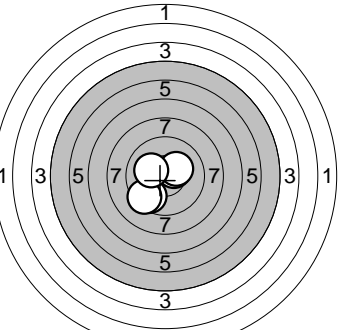
Serie: 49,0  
Summa: 288,0

Provsrott 	1: 10,6* ↘ 2: 10,2* → 3: 9,9 ↘ 4: 9,4 ↘ 5: 10,1 ↘ 6: 9,3 ↘ 7: 9,5 → 8: 10,0 ↘ 9: 10,3* ↘ 10: 10,1 ↙	Provsrott 
--	--	---

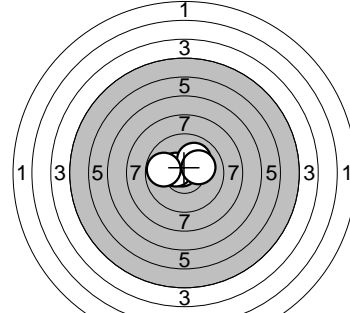
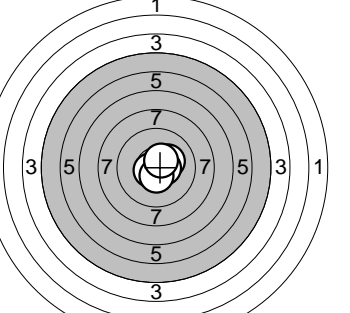
Serie: 96,0	Serie: 10,0
Summa: 0,0	Summa: 0,0

Skott/Skott 	1: 9,5 → 2: 10,3* → 3: 9,3 → 4: 10,2* ← 5: 10,1 ↗	Skott/Skott 
---	---	--

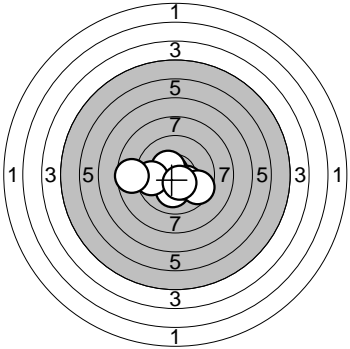
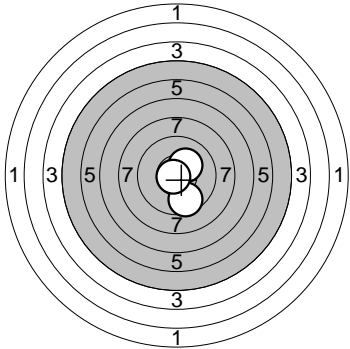
Serie: 48,0	Serie: 47,0
Summa: 48,0	Summa: 95,0

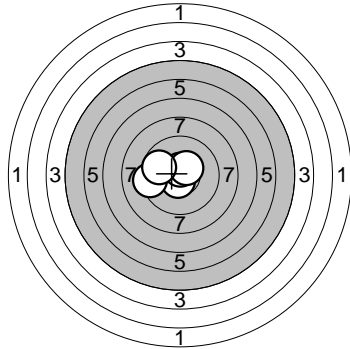
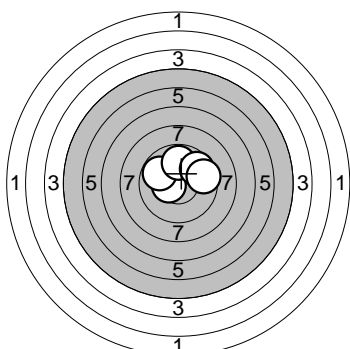
Skott/Skott 	11: 9,6 → 12: 10,1 ↘ 13: 9,7 ↘ 14: 10,0 ↘ 15: 10,5* ↘	Skott/Skott 
--	---	---

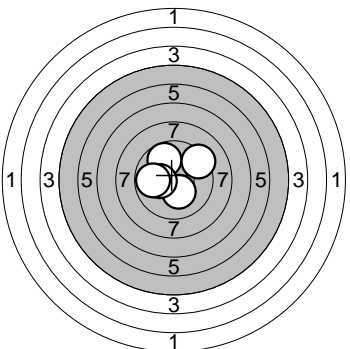
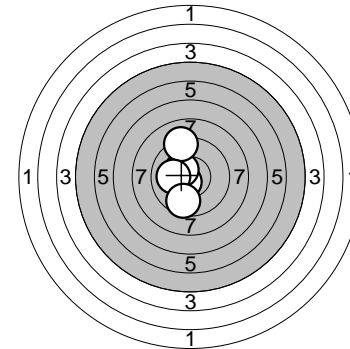
Serie: 48,0	Serie: 48,0
Summa: 143,0	Summa: 191,0

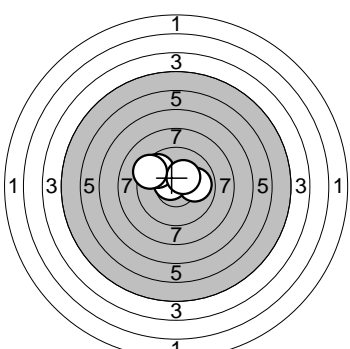
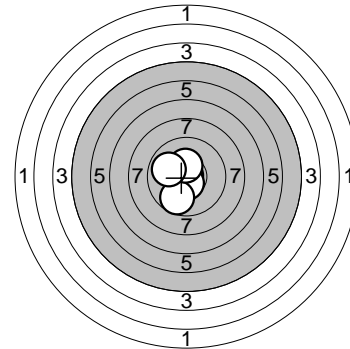
Skott/Skott 	21: 10,7* ↘ 22: 10,5* ← 23: 10,1 ↗ 24: 10,1 → 25: 9,8 ←	Skott/Skott 
--	---	---

Serie: 49,0	Serie: 50,0
Summa: 240,0	Summa: 290,0

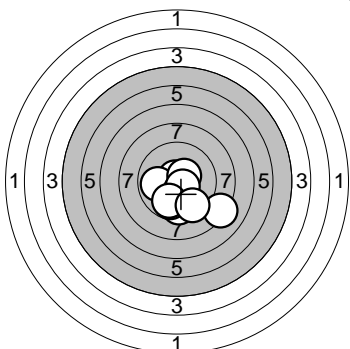
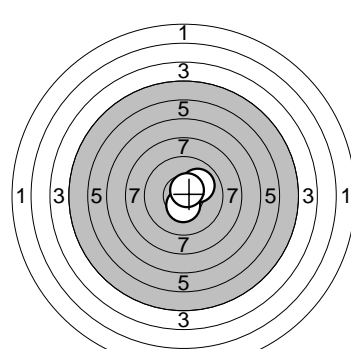
<b>Provskott</b> 	1: 10,7* ↖ 2: 10,4* ↓ 3: 10,5* ↓ 4: 10,1 ↓ 5: 10,2* ↓ 6: 10,5* ↗ 7: 9,6 ↘ 8: 9,7 ← 9: 8,7 ← 10: 10,4* ↓ Serie: 96,0 Summa: 0,0	<b>Provskott</b> 	11: 10,3* ↗ 12: 9,6 ↓ 13: 10,8* ← Serie: 29,0 Summa: 0,0
---	---	--	--

<b>Skott/Skott</b> 	1: 10,6* ↓ 2: 10,7* ↑ 3: 10,4* ↗ 4: 9,4 ← 5: 9,8 ↖ Serie: 48,0 Summa: 48,0	<b>Skott/Skott</b> 	6: 10,5* ← 7: 9,8 ↖ 8: 9,9 ↑ 9: 9,7 ↗ 10: 9,5 → Serie: 46,0 Summa: 94,0
--	--	---	---

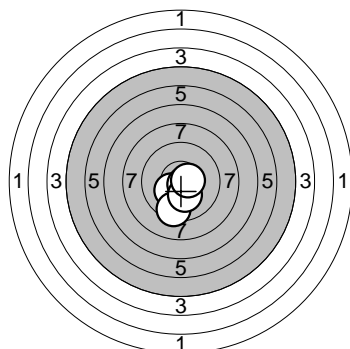
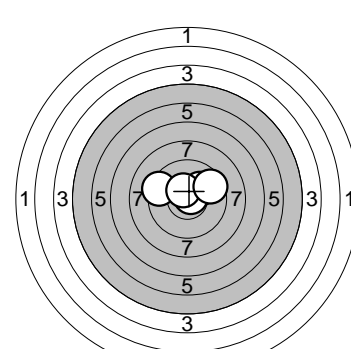
<b>Skott/Skott</b> 	11: 10,3* ↓ 12: 9,8 ↗ 13: 10,2* ← 14: 9,3 ↗ 15: 9,9 ← Serie: 47,0 Summa: 141,0	<b>Skott/Skott</b> 	16: 10,5* ↖ 17: 10,4* ↖ 18: 9,2 ↑ 19: 10,1 ← 20: 9,6 ↓ Serie: 48,0 Summa: 189,0
---	--	--	---

<b>Skott/Skott</b> 	21: 10,0 → 22: 10,6* ↗ 23: 9,7 ↗ 24: 10,3* ↗ 25: 9,4 ↖ Serie: 48,0 Summa: 237,0	<b>Skott/Skott</b> 	26: 10,9* ↑ 27: 10,6* ↓ 28: 9,7 ↓ 29: 10,4* ↑ 30: 10,0 ↖ Serie: 49,0 Summa: 286,0
---	---	--	---

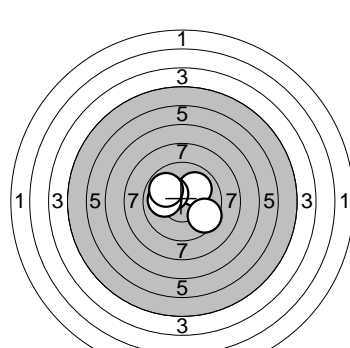
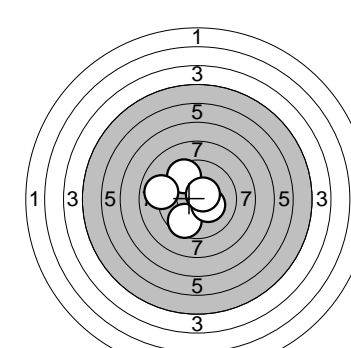


Provsnitt 	1: 10,7* ↑ 2: 9,9 ← 3: 10,4* ↓ 4: 9,6 ↓ 5: 9,8 ↓ 6: 8,1 → 7: 10,5* ↗ 8: 10,5* ↘ 9: 9,8 ↓ 10: 9,4 ↓	Provsnitt 	11: 10,4* ↓ 12: 10,1 ↗ 13: 10,6* ↗
--	---	---	--

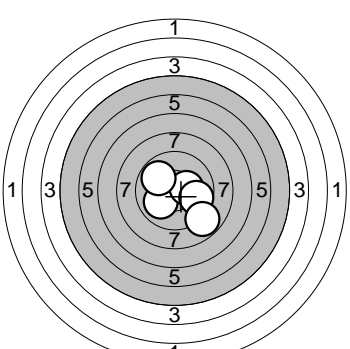
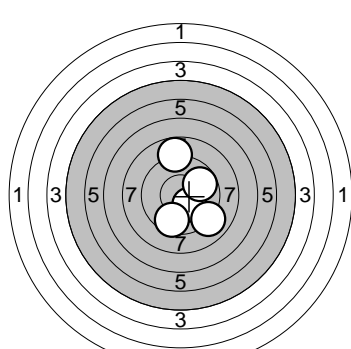
Serie: 93,0	Serie: 30,0
Summa: 0,0	Summa: 0,0

Skott/Skott 	1: 10,3* ↙ 2: 10,7* ↘ 3: 9,4 ↓ 4: 10,2* ↓ 5: 10,6* →	Skott/Skott 	6: 9,4 ← 7: 10,1 ↗ 8: 10,7* → 9: 10,5* ↗ 10: 9,6 →
---	--	--	--

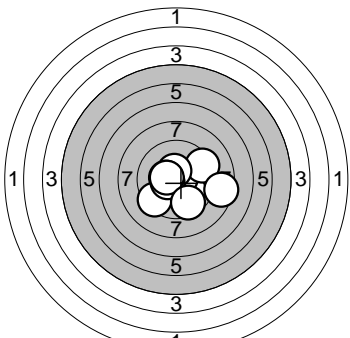
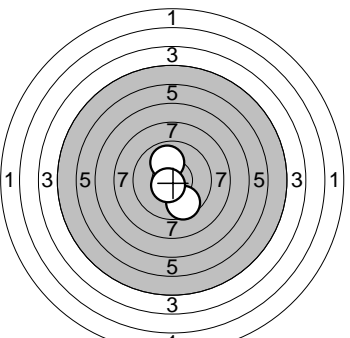
Serie: 49,0	Serie: 48,0
Summa: 49,0	Summa: 97,0

Skott/Skott 	11: 10,0 ↗ 12: 10,3* ↗ 13: 10,0 ← 14: 9,9 ↗ 15: 9,5 ↘	Skott/Skott 	16: 9,6 ↓ 17: 10,3* → 18: 9,6 ↗ 19: 10,5* ↗ 20: 9,0 ←
--	---	---	---

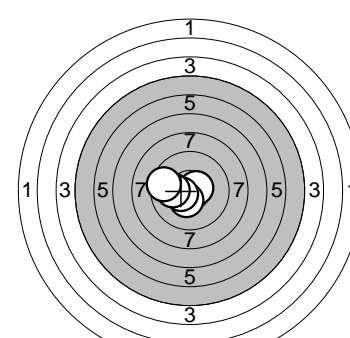
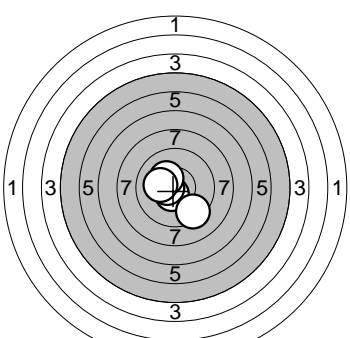
Serie: 48,0	Serie: 47,0
Summa: 145,0	Summa: 192,0

Skott/Skott 	21: 10,0 ↙ 22: 10,3* → 23: 9,7 → 24: 9,9 ↗ 25: 8,8 ↓	Skott/Skott 	26: 10,2* ↘ 27: 9,8 ↗ 28: 8,8 ↑ 29: 9,6 ↓ 30: 9,0 ↘
--	--	---	---

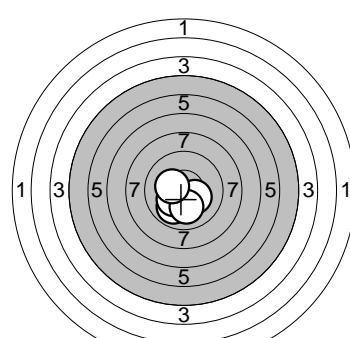
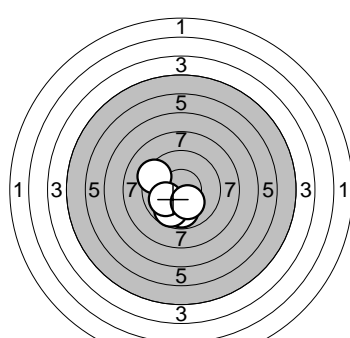
Serie: 46,0	Serie: 45,0
Summa: 238,0	Summa: 283,0

Provs-kott 	1: 10,1 ↘ 2: 10,7* → 3: 9,4 → 4: 9,4 ↙ 5: 8,5 → 6: 10,5* ↑ 7: 10,4* ← 8: 10,5* ← 9: 10,5* ← 10: 9,5 ↘	Provs-kott 	11: 9,6 ↘ 12: 10,0 ↑ 13: 10,6* ↙
Serie: 95,0		Serie: 29,0	
Summa: 0,0		Summa: 0,0	

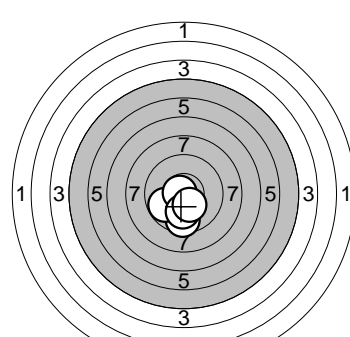
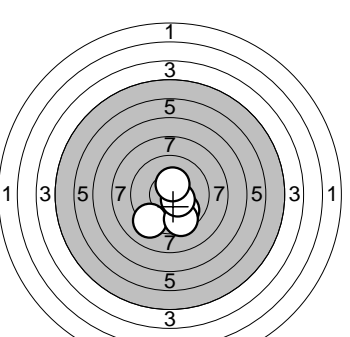
--	--	--	--

Skott/Skott 	1: 10,6* → 2: 10,4* ↘ 3: 10,5* ← 4: 10,1 ← 5: 9,5 ←	Skott/Skott 	6: 10,6* ↘ 7: 9,3 ↘ 8: 10,6* ← 9: 10,3* ↗ 10: 10,2* ←
Serie: 49,0		Serie: 49,0	
Summa: 49,0		Summa: 98,0	

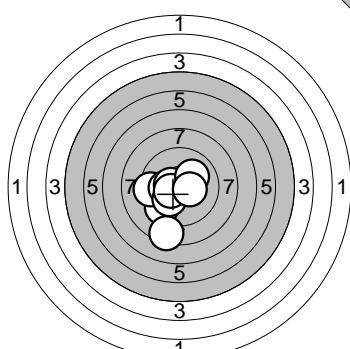
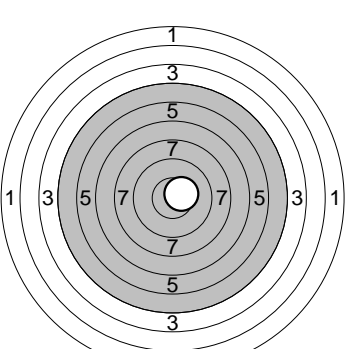
--	--	--	--

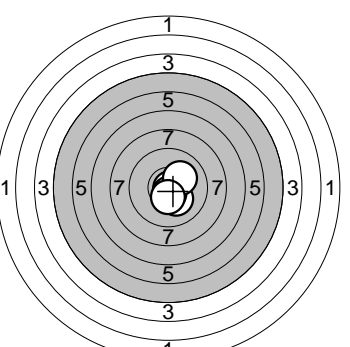
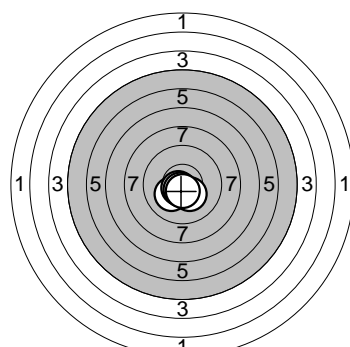
Skott/Skott 	11: 9,9 ↘ 12: 10,2* ↙ 13: 10,2* ↘ 14: 10,0 ↘ 15: 10,3* ←	Skott/Skott 	16: 9,8 ↘ 17: 9,4 ↖ 18: 9,8 ↘ 19: 10,0 ↙ 20: 10,2* ↘
Serie: 49,0		Serie: 47,0	
Summa: 147,0		Summa: 194,0	

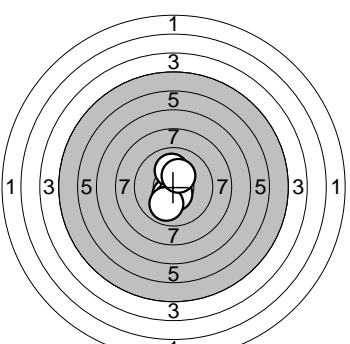
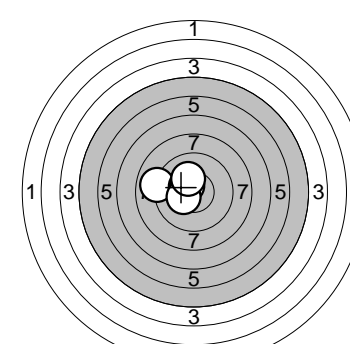
--	--	--	--

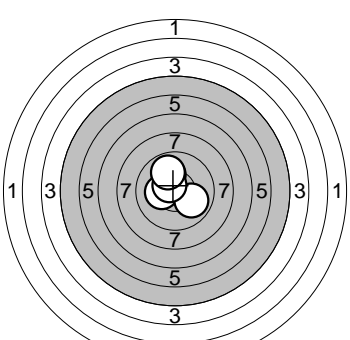
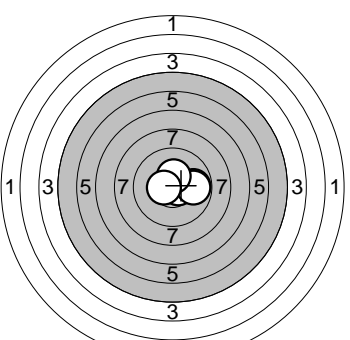
Skott/Skott 	21: 9,6 ↘ 22: 9,8 ← 23: 10,7* ← 24: 10,0 ↘ 25: 10,3* ↘	Skott/Skott 	26: 9,9 ↘ 27: 9,2 ↘ 28: 9,5 ↘ 29: 10,4* ↘ 30: 10,4* ↑
Serie: 48,0		Serie: 47,0	
Summa: 242,0		Summa: 289,0	

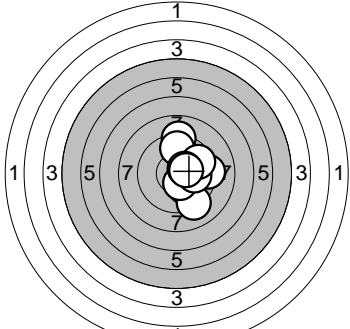
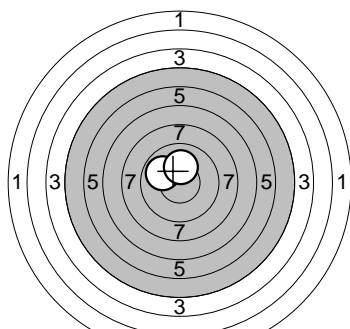
--	--	--	--

Provskott			11: 10,4* →
	1: 9,5 ↘ 2: 8,4 ↓ 3: 10,7* → 4: 9,4 ← 5: 10,2* ← 6: 10,5* ← 7: 10,1 ↘ 8: 10,5* ← 9: 10,1 ↗ 10: 10,4* →		
	Serie: 96,0		Serie: 10,0
	Summa: 0,0		Summa: 0,0

Skott/Skott			
	1: 10,8* → 2: 10,2* ↘ 3: 10,6* ↓ 4: 10,2* ↗ 5: 10,4* ↓		6: 10,2* ↙ 7: 10,3* ↘ 8: 10,6* ↙ 9: 10,6* ↓ 10: 10,6* ↓
	Serie: 50,0		Serie: 50,0
	Summa: 50,0		Summa: 100,0

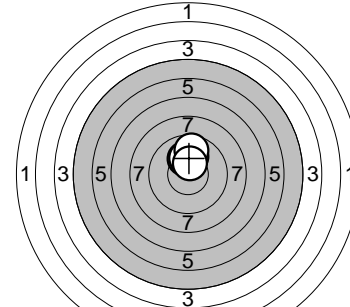
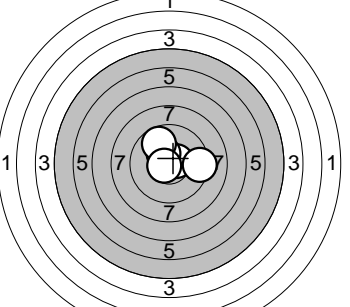
Skott/Skott			
	11: 10,5* ↘ 12: 10,1 ↑ 13: 10,5* ↓ 14: 10,0 ↓ 15: 10,3* ↗		16: 9,0 ← 17: 10,5* ↗ 18: 10,5* ↗ 19: 10,3* ↙ 20: 10,2* ↗
	Serie: 50,0		Serie: 49,0
	Summa: 150,0		Summa: 199,0

Skott/Skott			
	21: 10,1 ↗ 22: 10,3* ← 23: 9,9 ↘ 24: 10,6* ↗ 25: 9,9 ↗		26: 10,6* → 27: 9,8 → 28: 9,8 → 29: 10,4* ↑ 30: 10,5* ←
	Serie: 48,0		Serie: 48,0
	Summa: 247,0		Summa: 295,0

Provs-kott 	1: 10,1 ↘ 2: 9,1 ↘ 3: 10,4* ↘ 4: 9,1 ↑ 5: 9,3 → 6: 9,6 ↑ 7: 10,0 → 8: 9,6 ↗ 9: 10,5* ↗ 10: 10,4* →	Provs-kott 
---	---	--

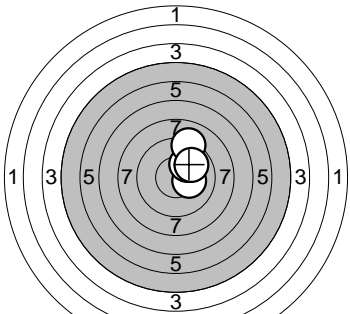
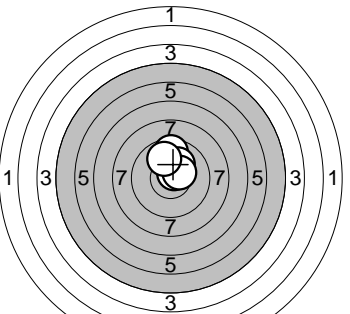
Serie: 95,0  
Summa: 0,0

Serie: 20,0  
Summa: 0,0

Skott/Skott 	1: 10,0 ↑ 2: 10,1 ↑ 3: 10,1 ↑ 4: 9,7 ↑ 5: 10,4* ↑	Skott/Skott 
---	---	--

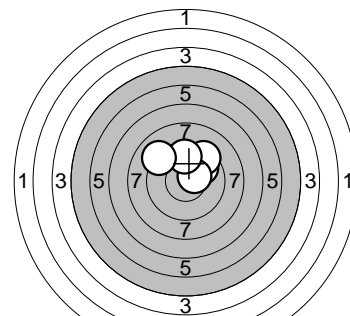
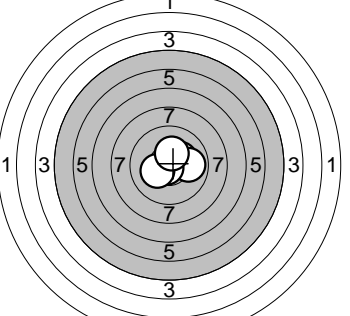
Serie: 49,0  
Summa: 49,0

Serie: 48,0  
Summa: 97,0

Skott/Skott 	11: 10,2* → 12: 10,1 ↗ 13: 10,1 ↗ 14: 9,2 ↑ 15: 9,9 ↗	Skott/Skott 
--	---	---

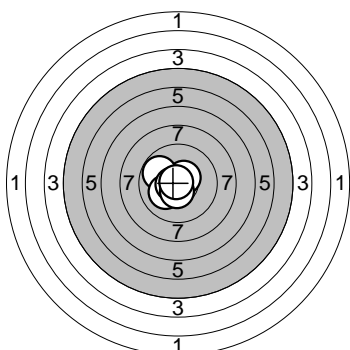
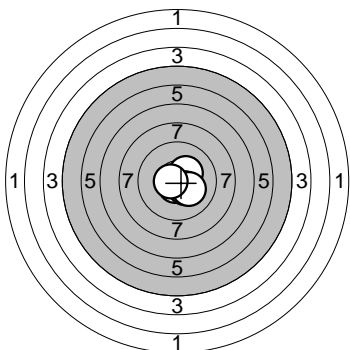
Serie: 48,0  
Summa: 145,0

Serie: 48,0  
Summa: 193,0

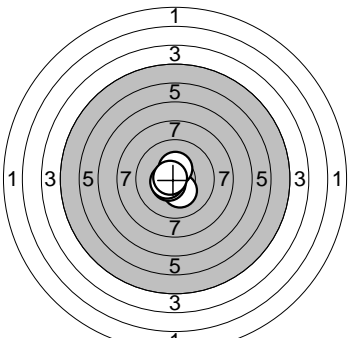
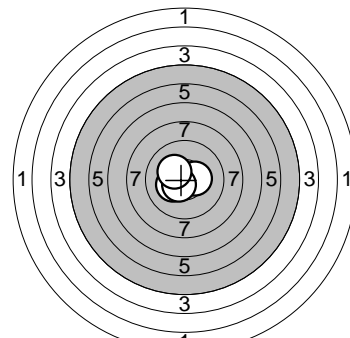
Skott/Skott 	21: 9,9 ↗ 22: 9,4 ↗ 23: 10,4* ↗ 24: 9,7 ↑ 25: 9,1 ↖	Skott/Skott 
--	---	---

Serie: 46,0  
Summa: 239,0

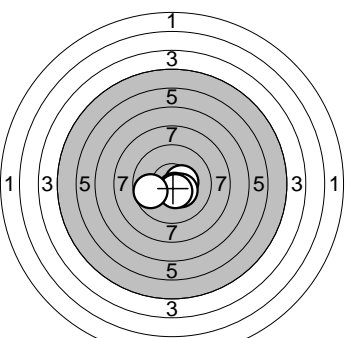
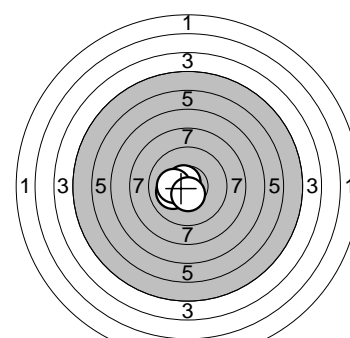
Serie: 49,0  
Summa: 288,0

Provs skott 	1: 10,5* ↗ 2: 9,8 ↖ 3: 10,2* ↙ 4: 10,6* ← 5: 10,5* ↓ 6: 10,9* ↖ Serie: 59,0 Summa: 0,0	Skott/Skott 	1: 10,7* ↓ 2: 10,3* ↗ 3: 10,3* ↘ 4: 10,2* ↘ 5: 10,6* ← Serie: 50,0 Summa: 50,0
--	---	---	--

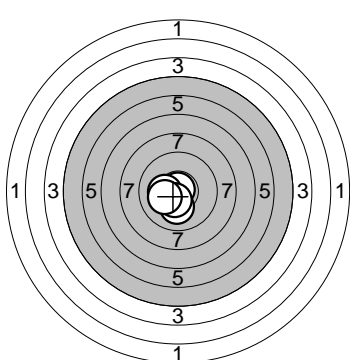
--	--	--	--

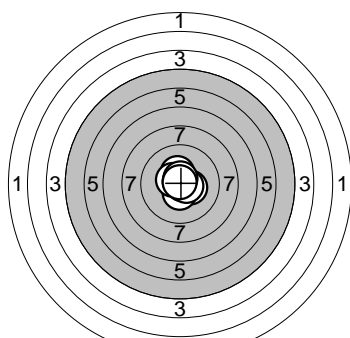
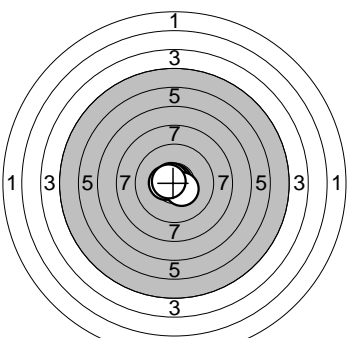
Skott/Skott 	6: 10,3* ↓ 7: 10,5* ↙ 8: 10,5* ← 9: 10,4* ↑ 10: 10,7* ← Serie: 50,0 Summa: 100,0	Skott/Skott 	11: 10,7* ← 12: 10,4* → 13: 10,3* ← 14: 10,6* ↙ 15: 10,3* ↗ Serie: 50,0 Summa: 150,0
---	--	--	--

--	--	--	--

Skott/Skott 	16: 10,4* → 17: 10,6* ↓ 18: 10,3* ↘ 19: 10,5* ↘ 20: 9,8 ← Serie: 49,0 Summa: 199,0	Skott/Skott 	21: 10,1 ← 22: 10,6* ← 23: 10,7* ↗ 24: 10,2* ← 25: 10,5* ↓ Serie: 50,0 Summa: 249,0
--	--	---	---

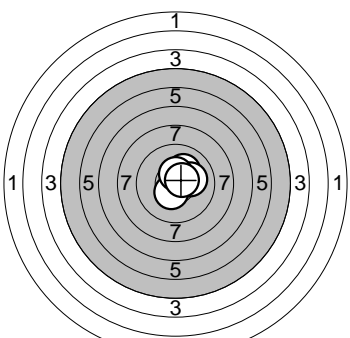
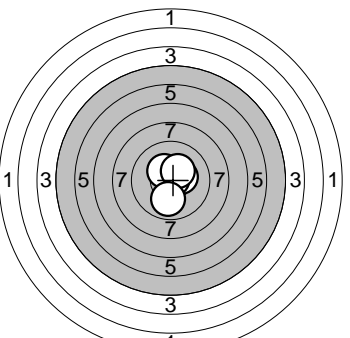
--	--	--	--

Skott/Skott 	26: 10,1 ↓ 27: 10,9* ↑ 28: 10,3* ← 29: 10,5* ↓ 30: 10,2* ← Serie: 50,0 Summa: 299,0		
--	---	--	--

Provsnitt 	1: 10,4* → 2: 10,4* ↑ 3: 10,5* ↓ 4: 10,5* ↖ 5: 10,8* ↑ 6: 10,8* → 7: 10,8* ↗ 8: 10,6* → 9: 10,7* ↑ 10: 10,9* ↑	Skott/Skott 	1: 10,9* ↗ 2: 10,5* ← 3: 10,7* ↗ 4: 10,4* ↘ 5: 10,6* ←
--	---	---	--

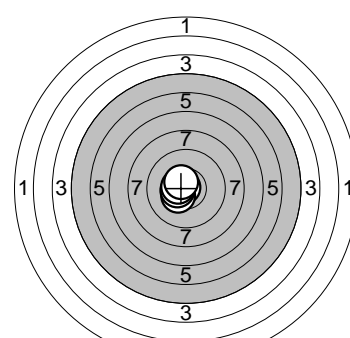
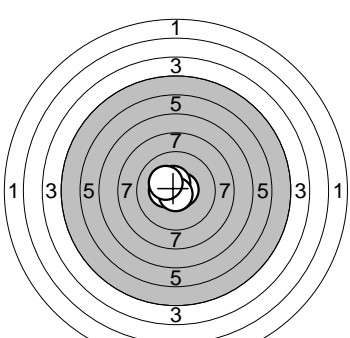
Serie: 100,0  
Summa: 0,0

Serie: 50,0  
Summa: 50,0

Skott/Skott 	6: 10,2* ↗ 7: 10,1 → 8: 10,4* ↘ 9: 10,5* ↑ 10: 10,6* →	Skott/Skott 	11: 10,4* → 12: 10,8* → 13: 10,4* ↖ 14: 10,3* ↗ 15: 9,9 ↓
---	--	--	---

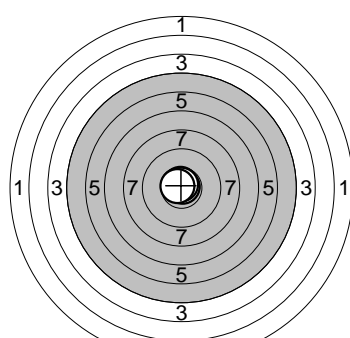
Serie: 50,0  
Summa: 100,0

Serie: 49,0  
Summa: 149,0

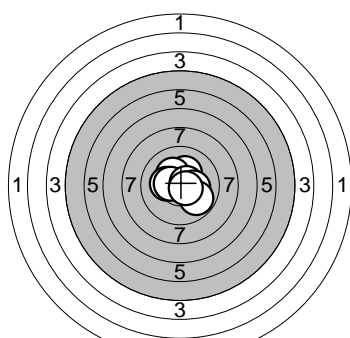
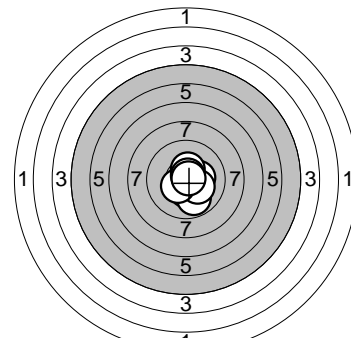
Skott/Skott 	16: 10,8* ↖ 17: 10,4* ↘ 18: 10,5* ← 19: 10,6* ← 20: 10,6* ↗	Skott/Skott 	21: 10,6* → 22: 10,5* ↗ 23: 10,4* ← 24: 10,8* ↓ 25: 10,3* ↖
--	---	---	---

Serie: 50,0  
Summa: 199,0

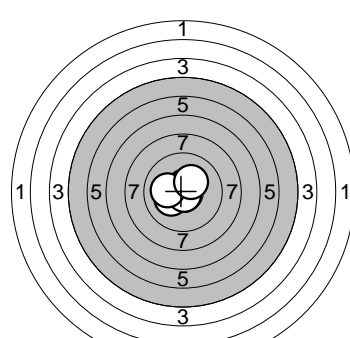
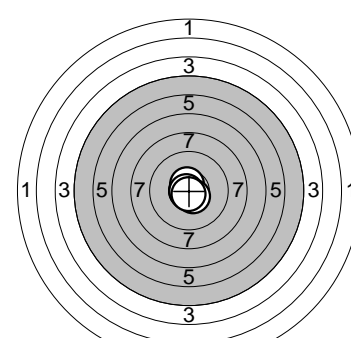
Serie: 50,0  
Summa: 249,0

Skott/Skott 	26: 10,8* ↖ 27: 10,9* → 28: 10,8* ↑ 29: 10,8* ↑ 30: 10,7* ↖		
--	---	--	--

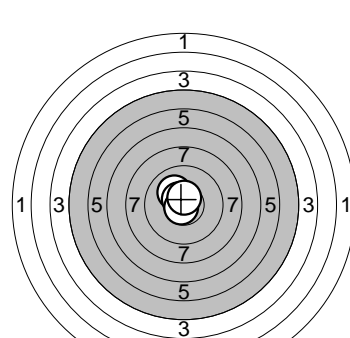
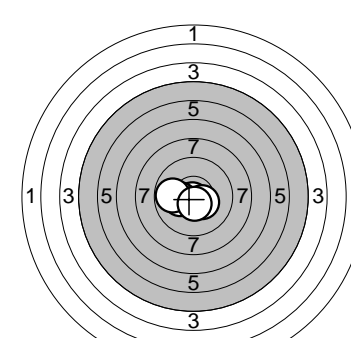
Serie: 50,0  
Summa: 299,0

Provsnitt 	1: 10,4* ↗ 2: 10,6* ↗ 3: 10,3* ↗ 4: 10,3* ↗ 5: 10,3* ← 6: 10,5* ← 7: 10,6* → 8: 10,2* → 9: 9,8 ↘ 10: 10,6* ↘ Serie: 99,0 Summa: 0,0	Provsnitt 	11: 10,7* ↘ 12: 10,3* ↓ 13: 10,3* ↓ 14: 10,3* → 15: 9,9 ↘ 16: 10,2* ↘ 17: 10,4* ← 18: 10,4* ↑ 19: 10,7* ↗ 20: 10,8* → Serie: 99,0 Summa: 0,0
--	--	---	---

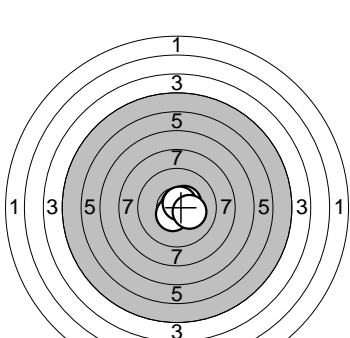
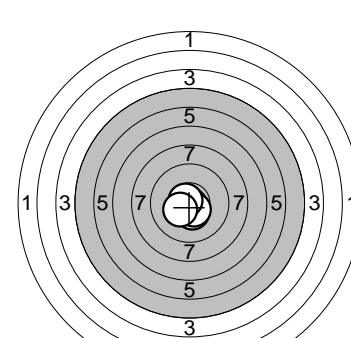
--	--	--	--

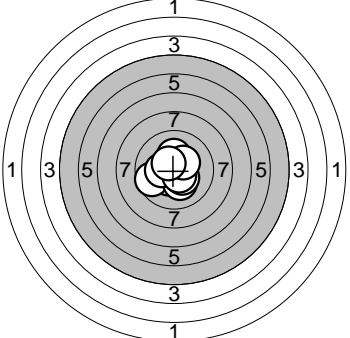
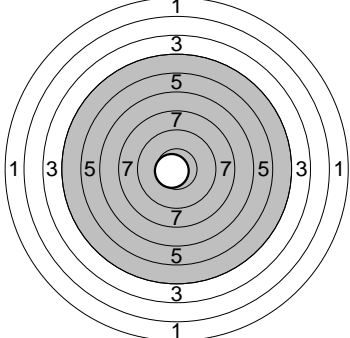
Skott/Skott 	1: 10,2* ← 2: 10,7* ↑ 3: 10,8* ↓ 4: 10,2* ← 5: 10,3* ↗ Serie: 50,0 Summa: 50,0	Skott/Skott 	6: 10,8* ← 7: 10,6* ↑ 8: 10,6* ↘ 9: 10,8* ← 10: 10,7* ↓ Serie: 50,0 Summa: 100,0
---	--	--	--

--	--	--	--

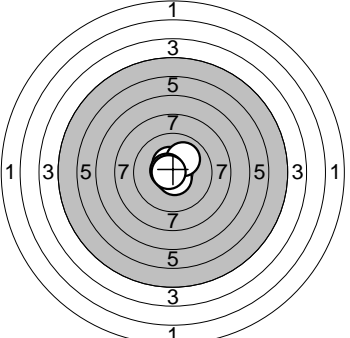
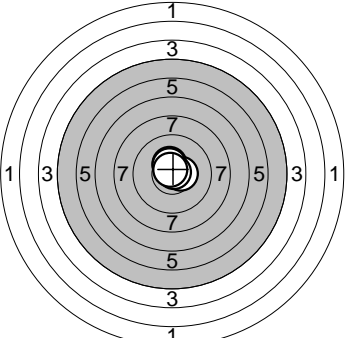
Skott/Skott 	11: 10,1 ↗ 12: 10,6* ↗ 13: 10,6* ↗ 14: 10,7* ↘ 15: 10,6* ↑ Serie: 50,0 Summa: 150,0	Skott/Skott 	16: 10,8* ↓ 17: 10,3* ← 18: 9,9 ← 19: 10,4* ↘ 20: 10,5* ↓ Serie: 49,0 Summa: 199,0
--	---	---	--

--	--	--	--

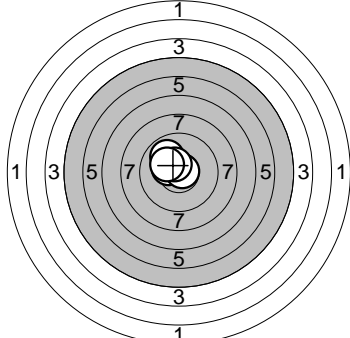
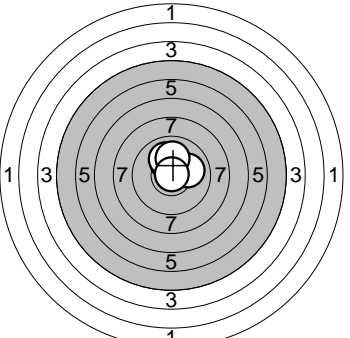
Skott/Skott 	21: 10,5* ↗ 22: 10,8* ↗ 23: 10,5* ↓ 24: 10,7* ↗ 25: 10,2* ↘ Serie: 50,0 Summa: 249,0	Skott/Skott 	26: 10,4* ↓ 27: 10,9* ↓ 28: 10,5* ↓ 29: 10,7* ↗ 30: 10,3* ← Serie: 50,0 Summa: 299,0
--	--	---	--

Provsnitt 	1: 10,4* ↘ 2: 10,6* ↗ 3: 9,7 ← 4: 10,1 ↓ 5: 10,2* ↑ 6: 10,3* ↘ 7: 10,3* ← 8: 10,5* ↘ 9: 10,4* ↗ 10: 10,5* ↗	Provsnitt 
--	--	---

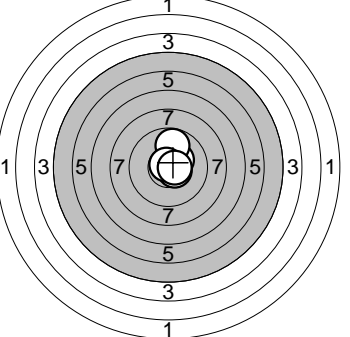
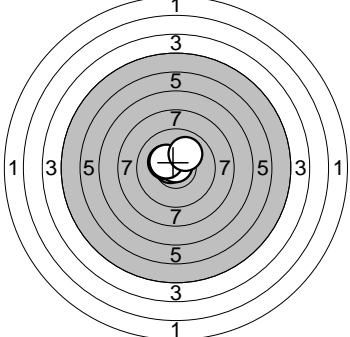
Serie: 99,0	Serie: 10,0
Summa: 0,0	Summa: 0,0

Skott/Skott 	1: 10,6* ↓ 2: 10,5* ↗ 3: 10,1 ↗ 4: 10,6* ← 5: 10,7* ←	Skott/Skott 
---	---	--

Serie: 50,0	Serie: 50,0
Summa: 50,0	Summa: 100,0

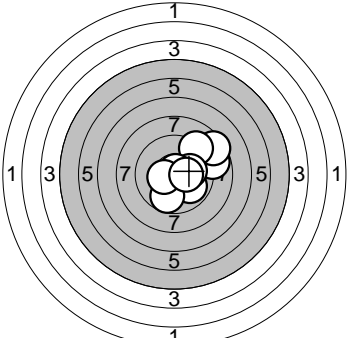
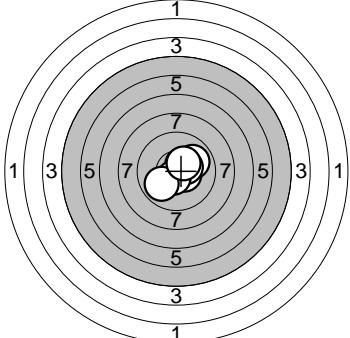
Skott/Skott 	11: 10,0 ↗ 12: 10,4* ← 13: 10,7* → 14: 10,5* ↗ 15: 10,2* ↗	Skott/Skott 
--	--	---

Serie: 50,0	Serie: 50,0
Summa: 150,0	Summa: 200,0

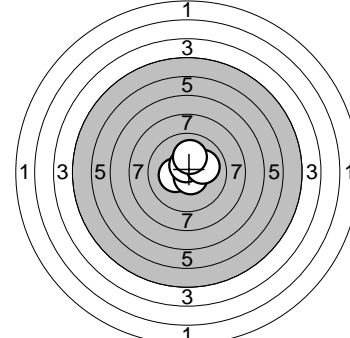
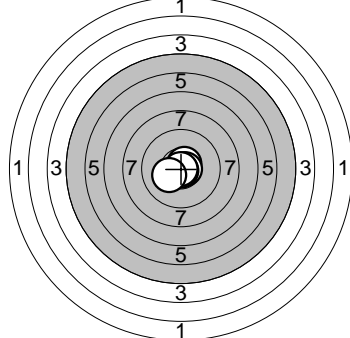
Skott/Skott 	21: 10,4* ↗ 22: 9,8 ↑ 23: 10,5* ↘ 24: 10,8* ↗ 25: 10,6* →	Skott/Skott 
--	---	---

Serie: 49,0	Serie: 50,0
Summa: 249,0	Summa: 299,0

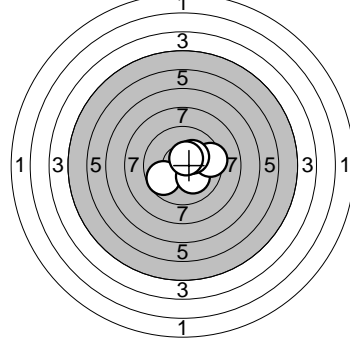
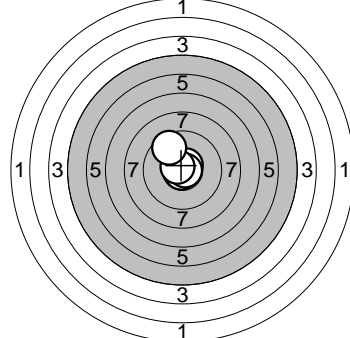


Provsnitt 	1: 10,1 → 2: 9,9 ↘ 3: 8,8 → 4: 8,5 ↗ 5: 9,2 ↗ 6: 10,1 → 7: 9,7 ↓ 8: 10,8* ↗ 9: 10,4* ← 10: 10,3* →	Provsnitt 	11: 10,5* ⇒ 12: 9,9 → 13: 10,5* ↗ 14: 10,4* → 15: 10,6* ↓ 16: 9,9 ↙ 17: 10,4* ↗
--	---	---	---

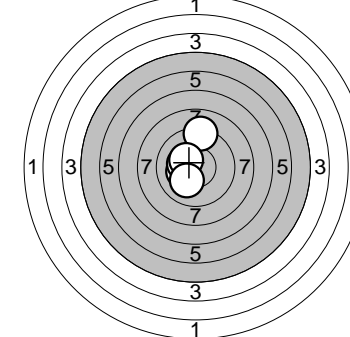
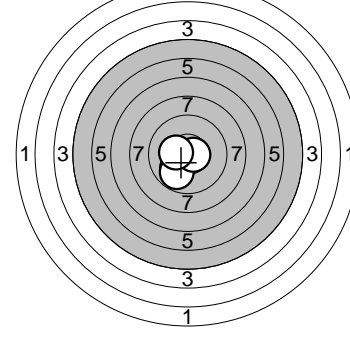
Serie: 93,0	Serie: 68,0
Summa: 0,0	Summa: 0,0

Skott/Skott 	1: 10,3* ← 2: 10,6* ↘ 3: 10,6* ↑ 4: 10,1 → 5: 10,1 ↑	Skott/Skott 	6: 10,6* ↗ 7: 10,7* → 8: 10,8* ↓ 9: 10,9* ↓ 10: 10,3* ←
---	--	--	---

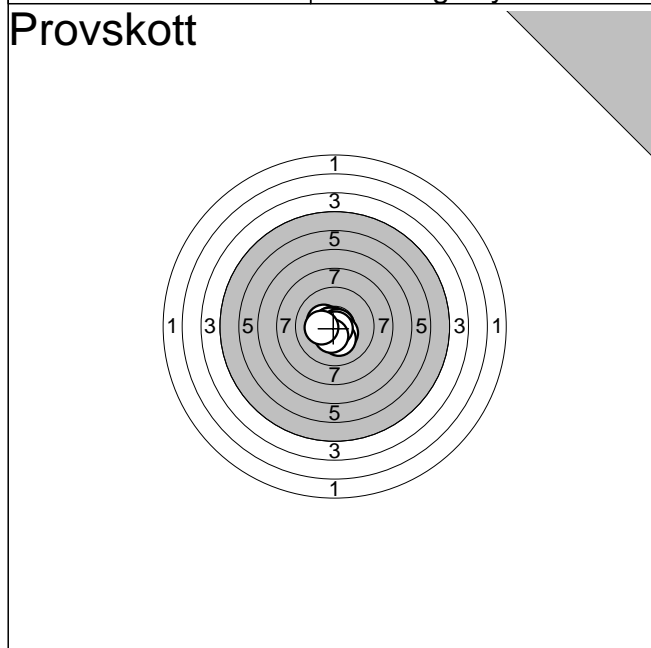
Serie: 50,0	Serie: 50,0
Summa: 50,0	Summa: 100,0

Skott/Skott 	11: 9,8 ↙ 12: 10,2* ↘ 13: 9,5 → 14: 10,3* ↗ 15: 10,5* ↗	Skott/Skott 	16: 10,6* ↗ 17: 10,8* ↓ 18: 10,8* → 19: 10,7* ↗ 20: 9,6 ↗
--	---	---	---

Serie: 48,0	Serie: 49,0
Summa: 148,0	Summa: 197,0

Skott/Skott 	21: 10,3* ← 22: 10,3* ← 23: 9,2 ↑ 24: 10,4* ↗ 25: 10,1 ↓	Skott/Skott 	26: 10,1 ↙ 27: 10,0 ↙ 28: 9,8 ↙ 29: 10,7* → 30: 10,4* ←
--	--	---	---

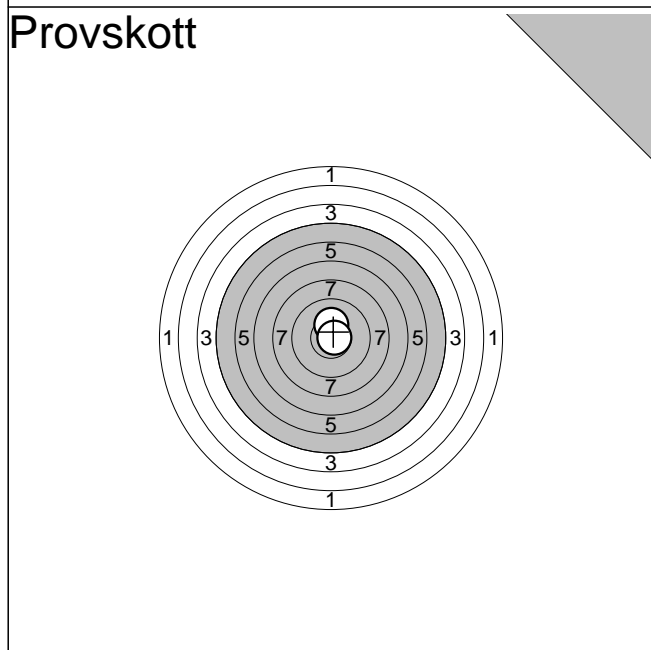
Serie: 49,0	Serie: 49,0
Summa: 246,0	Summa: 295,0



1:	10,4*	↖
2:	10,8*	↗
3:	10,9*	↑
4:	10,7*	↖
5:	10,8*	→
6:	10,4*	↘
7:	10,2*	↘
8:	10,8*	↘
9:	10,4*	↘
10:	10,3*	←

Serie:	<b>105,7</b>
--------	--------------

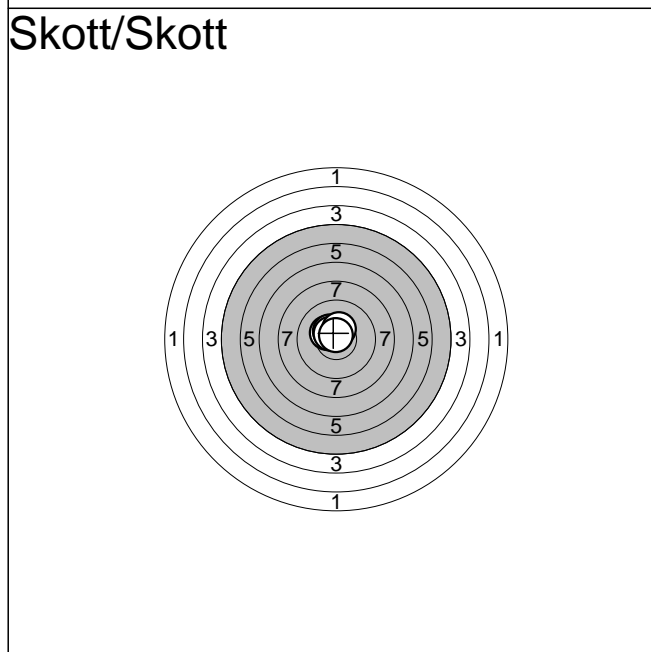
Summa:	<b>0,0</b>
--------	------------



11:	10,3*	↑
12:	10,8*	→

Serie:	<b>21,1</b>
--------	-------------

Summa:	<b>0,0</b>
--------	------------



1:	10,4*	↖
2:	10,4*	↗
3:	10,6*	↗
4:	10,4*	↑
5:	10,8*	↑

Serie:	<b>52,6</b>
--------	-------------

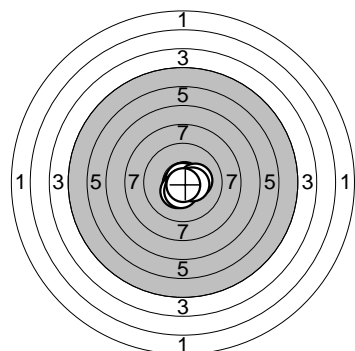
Summa:	<b>52,6</b>
--------	-------------

Lag <b>8</b>	Tavla <b>2</b>	<b>Andreas Sandgren</b>
-----------------	-------------------	-------------------------

Lg Hallen Sölvesborg	Ringamåla	L 11
----------------------	-----------	------

2005-12-03	Kretsomg skyttiaden	Sölvesborg Skf & Sevab
------------	---------------------	------------------------

## Provskott

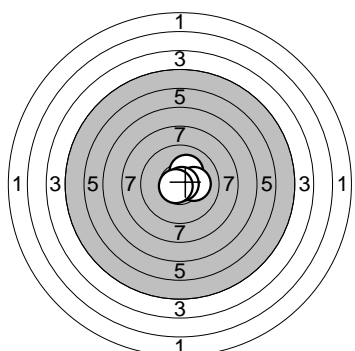


1: 10,8*	↗
2: 10,8*	↖
3: 10,8*	↑
4: 10,4*	↙
5: 10,7*	↓
6: 10,6*	↘
7: 10,3*	→
8: 10,5*	↓
9: 10,4*	→
10: 10,8*	↓

Serie: 106,1

Summa: 0,0

## Skott/Skott



1: 10,4*	↗
2: 10,2*	↗
3: 10,2*	→
4: 10,8*	→
5: 10,7*	↖

Serie: 52,3

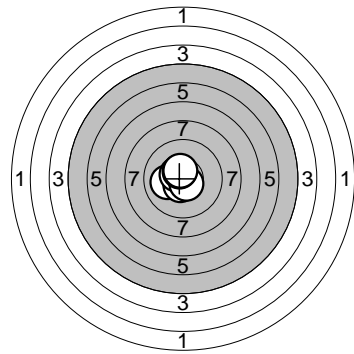
Summa: 52,3

Lag <b>8</b>	Tavla <b>4</b>	<b>Simon Ohlsson</b>
-----------------	-------------------	----------------------

Lg Hallen Sölvesborg	Sölvesborg	L 11
----------------------	------------	------

2005-12-03	Kretsomg skyttiaden	Sölvesborg Skf & Sevab
------------	---------------------	------------------------

## Provskott

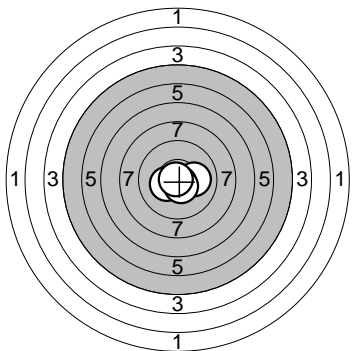


- 1: 10,7\* ↙
- 2: 10,8\* ↘
- 3: 10,1 ←
- 4: 10,6\* ↘
- 5: 10,6\* ↗
- 6: 10,6\* ↘
- 7: 10,6\* ↗
- 8: 10,5\* ↗

Serie: 84,5

Summa: 0,0

## Skott/Skott



- 1: 10,3\* ↙
- 2: 10,1 →
- 3: 10,7\* ↘
- 4: 10,5\* ↘
- 5: 10,9\* ←

Serie: 52,5

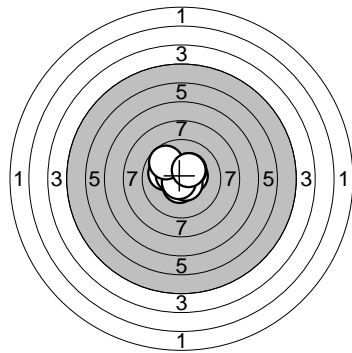
Summa: 52,5

Lag <b>8</b>	Tavla <b>5</b>	<b>Oscar Hedlund</b>
-----------------	-------------------	----------------------

Lg Hallen Sölvesborg	Sölvesborg	L 11
----------------------	------------	------

2005-12-03	Kretsomg skyttiaden	Sölvesborg Skf & Sevab
------------	---------------------	------------------------

## Provskott

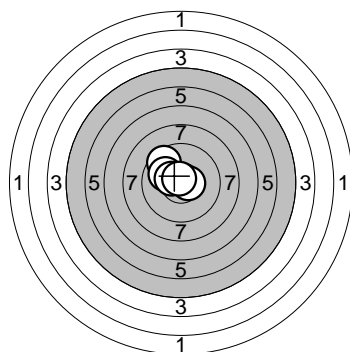


1: 10,3*	←
2: 10,1	←
3: 10,4*	→
4: 10,3*	↗
5: 10,5*	↓
6: 10,5*	←
7: 10,6*	↘
8: 10,7*	↘
9: 9,8	↗
10: 10,4*	↗

Serie: 103,6

Summa: 0,0

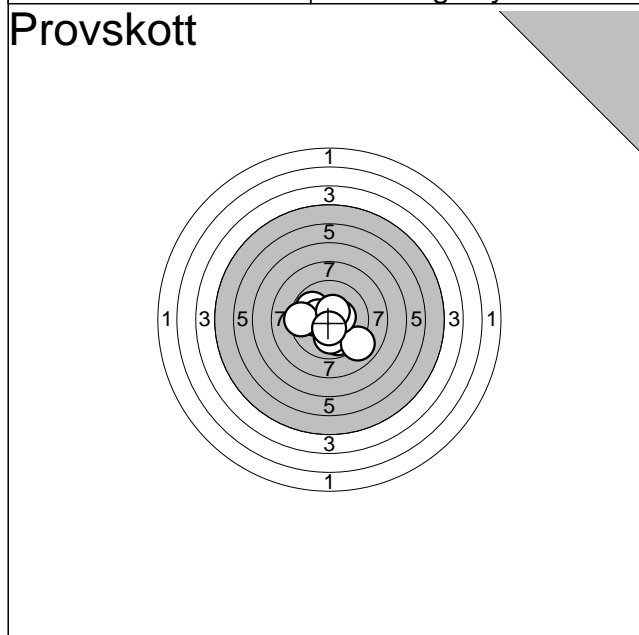
## Skott/Skott



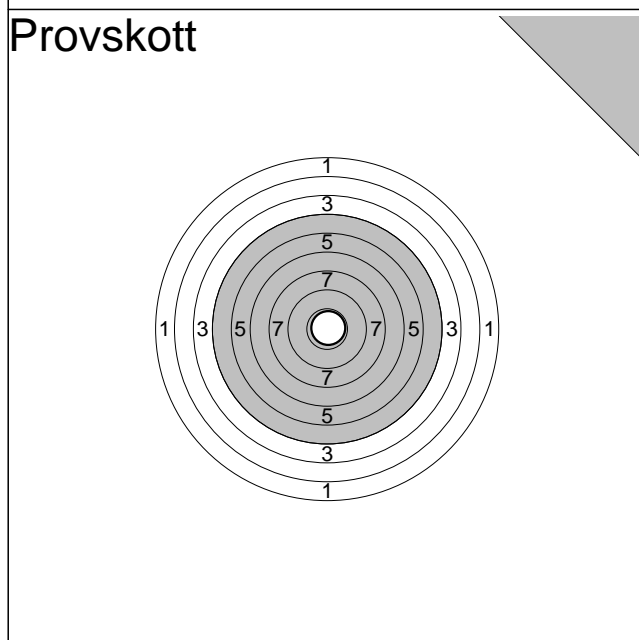
1: 9,6	↗
2: 10,0	↗
3: 10,4*	←
4: 10,5*	→
5: 10,7*	↑

Serie: 51,2

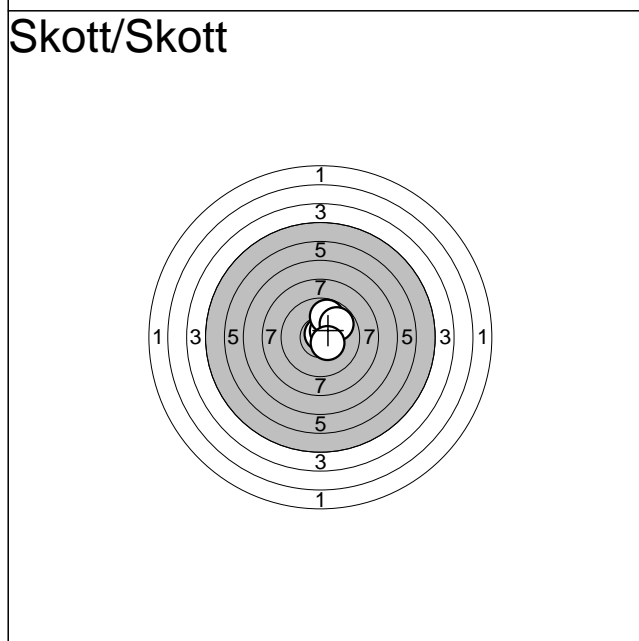
Summa: 51,2



1:	10,2*	←
2:	9,9	↗
3:	9,8	↓
4:	10,0	↓
5:	10,4*	←
6:	9,5	←
7:	8,9	↓
8:	10,4*	→
9:	10,5*	↑
10:	10,5*	↓
<b>Serie:</b>		<b>100,1</b>
<b>Summa:</b>		<b>0,0</b>



11:	10,9*	→
<b>Serie:</b>		<b>10,9</b>
<b>Summa:</b>		<b>0,0</b>



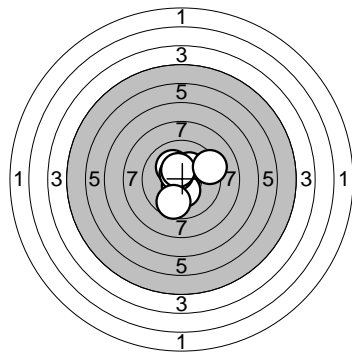
1:	10,8*	↑
2:	10,5*	↗
3:	9,8	↑
4:	9,8	↗
5:	10,4*	↘
<b>Serie:</b>		<b>51,3</b>
<b>Summa:</b>		<b>51,3</b>

Lag <b>8</b>	Tavla <b>7</b>	<b>Julius Persson</b>
-----------------	-------------------	-----------------------

Lg Hallen Sölvesborg	Ringamåla	L 11
----------------------	-----------	------

2005-12-03	Kretsomg skyttiaden	Sölvesborg Skf & Sevab
------------	---------------------	------------------------

## Provskott

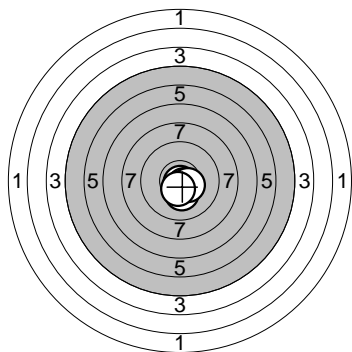


- 1: 10,6\* ↓
- 2: 10,2\* ↗
- 3: 10,3\* ↗
- 4: 10,6\* ↗
- 5: 10,3\* ↓
- 6: 10,6\* ↗
- 7: 10,5\* ↗
- 8: 9,3 →
- 9: 9,7 ↓

Serie: 92,1

Summa: 0,0

## Skott/Skott

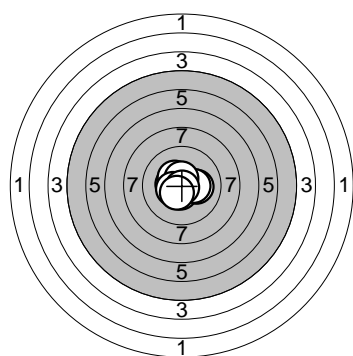


- 1: 10,8\* ↓
- 2: 10,3\* ↓
- 3: 10,6\* ↓
- 4: 10,5\* ↘
- 5: 10,5\* ↓

Serie: 52,7

Summa: 52,7

## Provskott

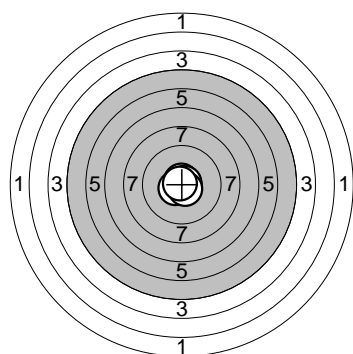


1: 10,5*	←
2: 10,4*	↗
3: 10,2*	→
4: 10,6*	↓
5: 10,3*	→
6: 10,6*	↑
7: 10,5*	←
8: 10,8*	↓
9: 10,5*	↙

<b>Serie:</b>	<b>94,4</b>
---------------	-------------

<b>Summa:</b>	<b>0,0</b>
---------------	------------

## Skott/Skott



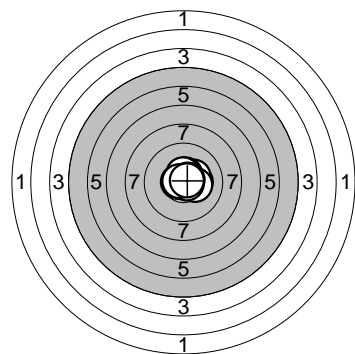
1: 10,6*	↙
2: 10,7*	↑
3: 10,8*	↗
4: 10,6*	↓
5: 10,8*	↙

<b>Serie:</b>	<b>53,5</b>
---------------	-------------

<b>Summa:</b>	<b>53,5</b>
---------------	-------------



## Provskott

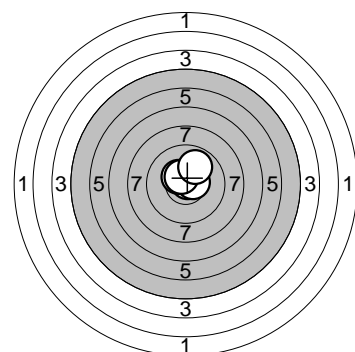


- 1: 10,3\* →
- 2: 10,3\* ↗
- 3: 10,3\* →
- 4: 10,5\* ↑
- 5: 10,5\* ↑
- 6: 10,7\* ←
- 7: 10,7\* ↗
- 8: 10,7\* →
- 9: 10,8\* ←
- 10: 10,7\* →

Serie: 105,5

Summa: 0,0

## Skott/Skott

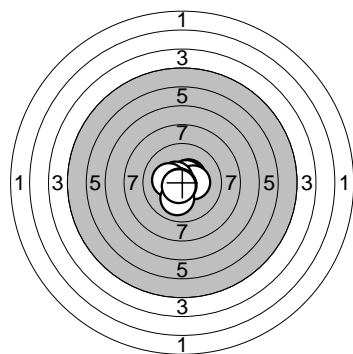


- 1: 10,8\* ↗
- 2: 10,4\* ↖
- 3: 10,6\* →
- 4: 10,5\* ↑
- 5: 9,9 ↗

Serie: 52,2

Summa: 52,2

## Provskott

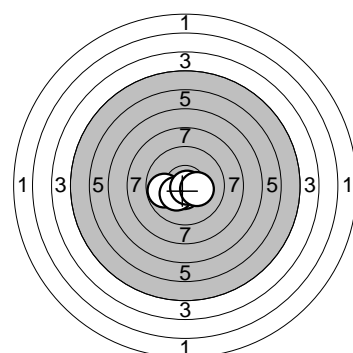


- 1: 10,5\* ↗
- 2: 10,6\* ↗
- 3: 10,4\* →
- 4: 10,6\* ↖
- 5: 10,3\* ←
- 6: 10,8\* ↙
- 7: 10,1 ↓
- 8: 10,7\* ↙

Serie: 84,0

Summa: 0,0

## Skott/Skott

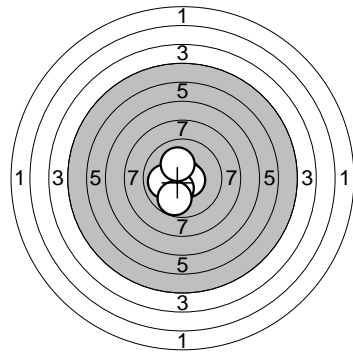


- 1: 10,6\* ↓
- 2: 9,8 ←
- 3: 10,3\* ↙
- 4: 10,8\* ↙
- 5: 10,3\* →

Serie: 51,8

Summa: 51,8

## Provskott

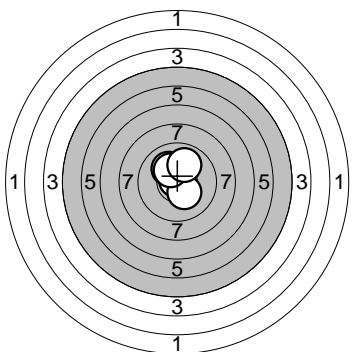


- 1: 10,6\* →
- 2: 10,3\* ↘
- 3: 10,0 ←
- 4: 10,2\* ↑
- 5: 9,8 ↙

Serie: 50,9

Summa: 0,0

## Skott/Skott



- 1: 10,9\* ↑
- 2: 10,2\* ↗
- 3: 10,3\* ↘
- 4: 10,3\* ↗
- 5: 10,0 ↗

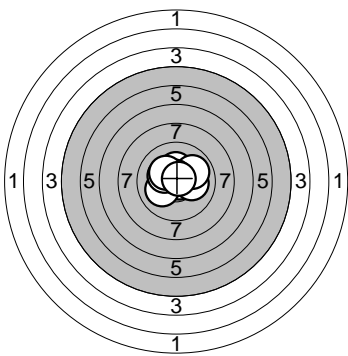
Serie: 51,7

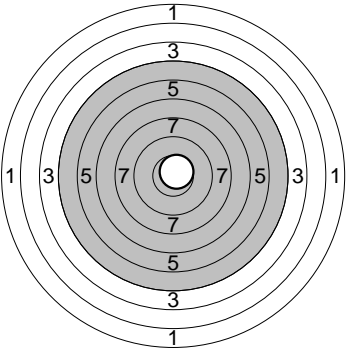
Summa: 51,7

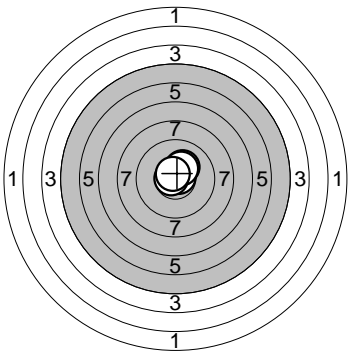
Lag	Tavla	<b>Susanna Olsson</b>	
<b>7</b>	<b>5</b>		

Lg Hallen Sölvesborg	Ringamåla	L 13	
----------------------	-----------	------	--

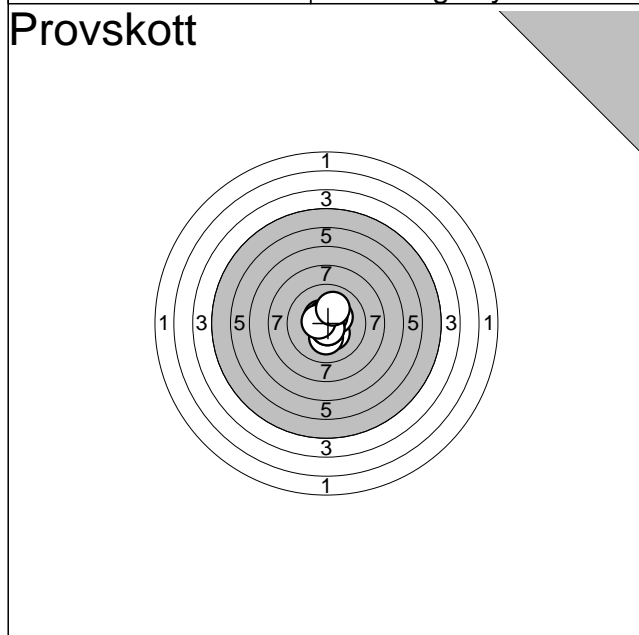
2005-12-03	Kretsomg skyttiaden	Sölvesborg Skf & Sevab
------------	---------------------	------------------------

<b>Provskott</b> 	1:	10,8*	→
	2:	10,8*	→
	3:	10,1	←
	4:	10,3*	↑
	5:	10,1	→
	6:	9,9	↗
	7:	10,7*	↑
	8:	10,3*	←
	9:	10,3*	↗
	10:	10,8*	↗
	<b>Serie:</b>		<b>104,1</b>
<b>Summa:</b>		<b>0,0</b>	

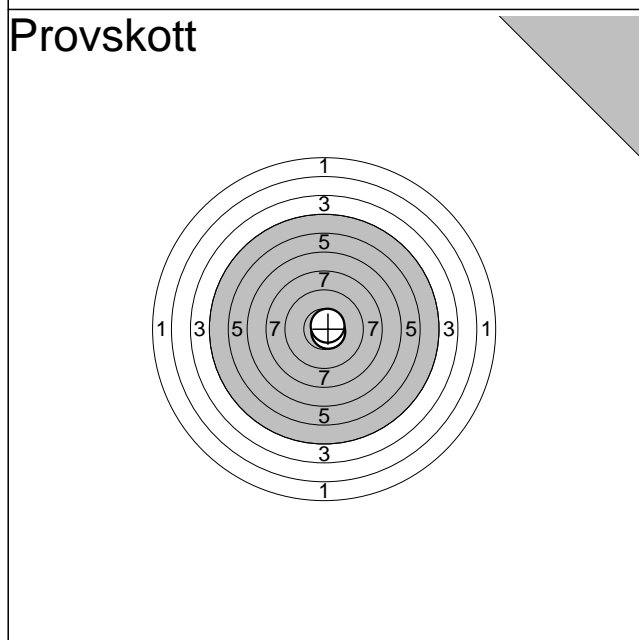
<b>Provskott</b> 	11:	10,7*	↗
	<b>Serie:</b>		<b>10,7</b>
	<b>Summa:</b>		<b>0,0</b>

<b>Skott/Skott</b> 	1:	10,7*	→
	2:	10,2*	↗
	3:	10,4*	↗
	4:	10,8*	←
	5:	10,7*	↗
	<b>Serie:</b>		<b>52,8</b>
<b>Summa:</b>		<b>52,8</b>	

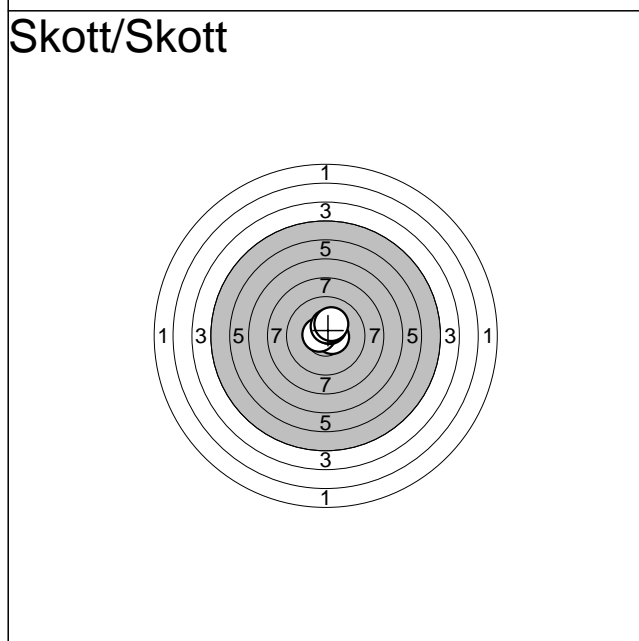
Sölvesborgs Energi och vatten AB



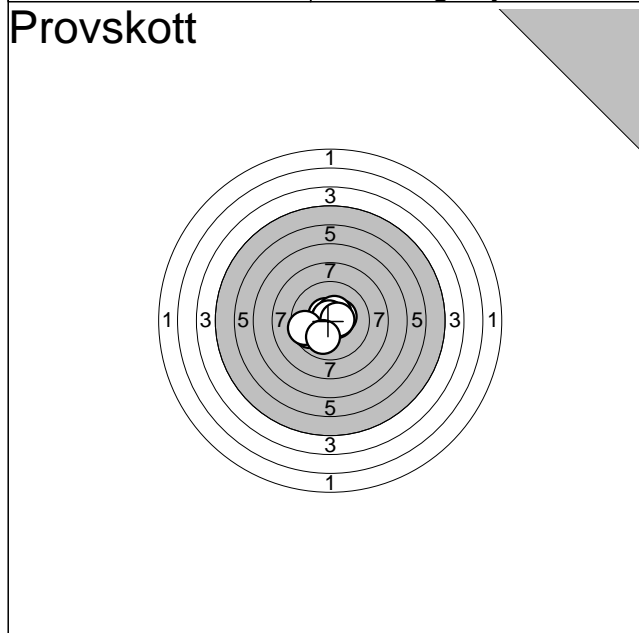
1:	10,3*	↘
2:	10,2*	↓
3:	10,3*	↗
4:	10,5*	↗
5:	10,7*	↗
6:	10,5*	↗
7:	10,7*	↓
8:	10,7*	↓
9:	10,5*	←
10:	10,1	↗
<b>Serie:</b>		<b>104,5</b>
<b>Summa:</b>		<b>0,0</b>



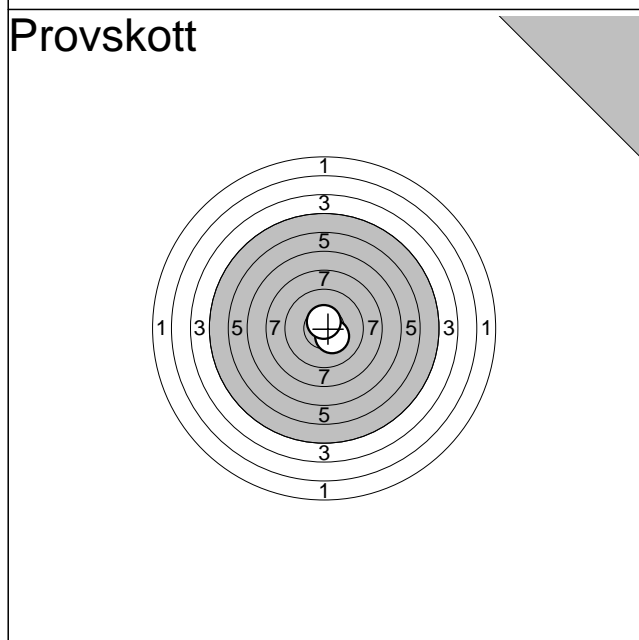
11:	10,6*	↘
12:	10,7*	↗
<b>Serie:</b>		<b>21,3</b>
<b>Summa:</b>		<b>0,0</b>



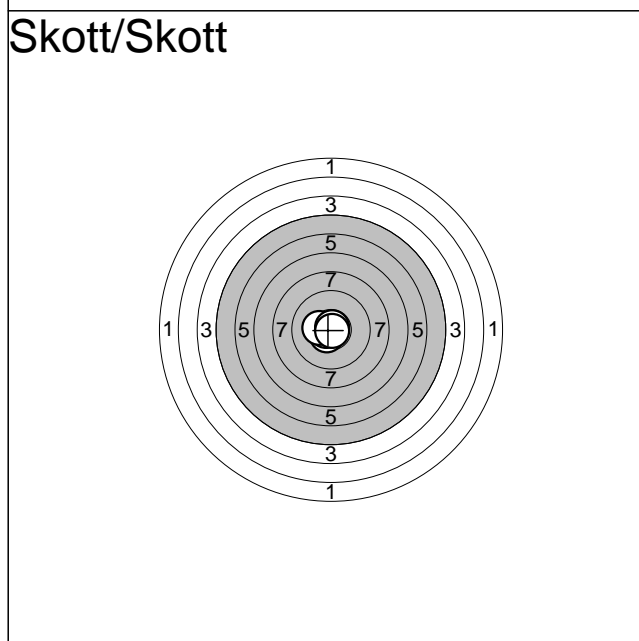
1:	10,6*	→
2:	10,6*	←
3:	10,5*	↗
4:	10,4*	↗
5:	10,3*	↗
<b>Serie:</b>		<b>52,4</b>
<b>Summa:</b>		<b>52,4</b>



1:	10,6*	↖
2:	10,9*	↖
3:	10,6*	→
4:	10,4*	↗
5:	10,5*	↗
6:	9,7	↙
7:	10,8*	↑
8:	10,5*	→
9:	9,6	↙
10:	10,0	↓
<b>Serie:</b>		<b>103,6</b>
<b>Summa:</b>		<b>0,0</b>

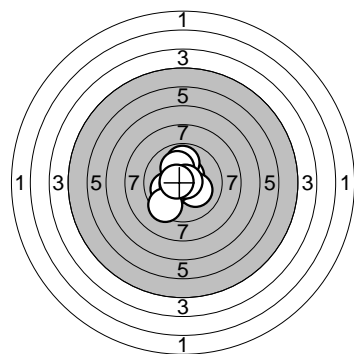


11:	10,3*	↘
12:	10,7*	↑
<b>Serie:</b>		<b>21,0</b>
<b>Summa:</b>		<b>0,0</b>



1:	10,6*	↘
2:	10,7*	↙
3:	10,4*	↙
4:	10,8*	↗
5:	10,8*	↘
<b>Serie:</b>		<b>53,3</b>
<b>Summa:</b>		<b>53,3</b>

## Provskott

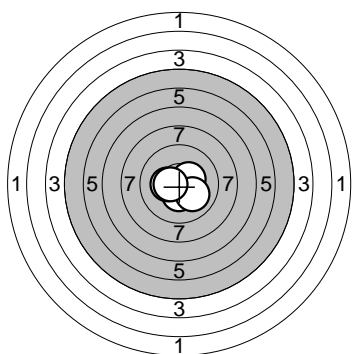


1: 10,5*	↗
2: 10,1	↖
3: 9,9	↑
4: 10,1	↖
5: 10,1	↖
6: 10,2*	↘
7: 10,6*	↖
8: 10,8*	→
9: 9,4	↘
10: 10,6*	←

Serie: 102,3

Summa: 0,0

## Skott/Skott

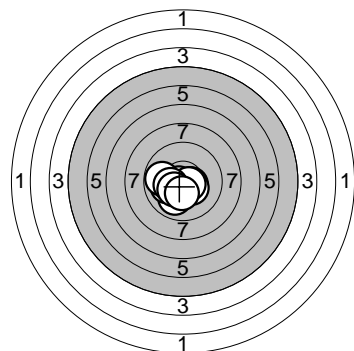


1: 10,4*	↗
2: 10,4*	↓
3: 10,0	↘
4: 10,3*	←
5: 10,5*	←

Serie: 51,6

Summa: 51,6

## Provskott

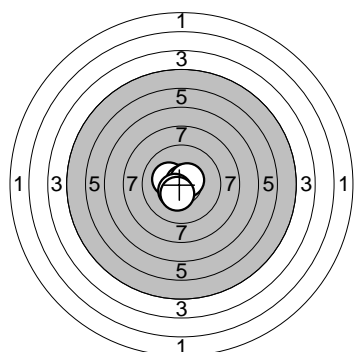


1: 10,5*	→
2: 10,3*	↘
3: 10,7*	↙
4: 10,0	↘
5: 10,1	↙
6: 9,9	↙
7: 10,6*	→
8: 10,3*	↙
9: 10,3*	↘
10: 10,3*	↓

Serie: 103,0

Summa: 0,0

## Skott/Skott



1: 10,3*	↙
2: 10,8*	↗
3: 10,6*	↗
4: 10,5*	↘
5: 10,4*	↘

Serie: 52,6

Summa: 52,6



**Kretsomg skyttiaden  
Sölvesborg  
Klass L11**

Plac	Namn	Klass	Klubb	S1	S2	S3	S4	S5	S6	Grund	F1	F2	F3	F4	F5	Särsk	
1	Emelie Lindén	L11	Sölvesborg	50	50	50	50	50	50	<b>300</b>						0,0	Guld
2	Julius Persson	L11	Ringamåla	50	50	50	50	49	50	<b>299</b>	10,8	10,3	10,6	10,5	10,5	52,7	Silver
3	Ebba Karlsson	L11	Ringamåla	50	50	49	50	50	50	<b>299</b>	10,4	10,4	10,6	10,4	10,8	52,6	Brons
4	Simon Ohlsson	L11	Sölvesborg	50	50	50	49	50	50	<b>299</b>	10,3	10,1	10,7	10,5	10,9	52,5	Diplom
5	Andreas Sandgren	L11	Ringamåla	50	50	50	49	50	50	<b>299</b>	10,4	10,2	10,2	10,8	10,7	52,3	Diplom
6	Frida Karlsson	L11	Kyrkhult	50	50	50	50	49	50	<b>299</b>	10,8	10,5	9,8	9,8	10,4	51,3	Diplom
7	Oscar Hedlund	L11	Sölvesborg	50	50	50	49	50	50	<b>299</b>	9,6	10,0	10,4	10,5	10,7	51,2	
8	Tilda Svensson	L11	Kyrkhult	49	50	49	50	49	50	<b>297</b>							
9	Alina Ejder	L11	Kyrkhult	50	50	50	49	48	50	<b>297</b>							
10	Johan Manneby	L11	Ringamåla	50	50	48	49	49	49	<b>295</b>							
11	Erik Wiktorsson	L11	Karlshamn	50	50	50	49	48	48	<b>295</b>							
12	Erik Asper	L11	Sölvesborg	48	48	50	48	49	49	<b>292</b>							
13	Linda Möller	L11	Sölvesborg	50	48	48	49	49	48	<b>292</b>							
14	Anna Carlsson	L11	Sölvesborg	49	50	49	49	49	46	<b>292</b>							
15	Joel Dani	L11	Vilshult	48	47	48	48	49	50	<b>290</b>							
16	Emil Ejder	L11	Kyrkhult	49	49	49	47	48	47	<b>289</b>							
17	Marcus Andersson	L11	Vilshult	46	49	46	50	48	49	<b>288</b>							
18	Oscar Wiktorsson	L11	Karlshamn	49	48	48	48	46	49	<b>288</b>							
19	Johan Carlsson	L11	Sölvesborg	48	46	47	48	48	49	<b>286</b>							
20	Axel Månsson	L11	Mörnum	49	48	48	47	46	45	<b>283</b>							
21	Sara Rehn	L11	Karlshamn	43	47	47	47	45	46	<b>275</b>							

**Kretsomg skyttiaden  
Sölvesborg  
Klass L13**

Plac	Namn	Klass	Klubb	S1	S2	S3	S4	S5	S6	Grund	F1	F2	F3	F4	F5	Särsk	
1	Joel Nortfell	L13	Mörrum	50	50	50	50	50	50	<b>300</b>	10,6	10,7	10,8	10,6	10,8	53,5	Guld
2	Hampus Kallenberg	L13	Sölvesborg	50	50	50	50	50	50	<b>300</b>	10,8	10,4	10,6	10,5	9,9	52,2	Silver
3	Julia Kallenberg	L13	Sölvesborg	50	50	50	50	50	50	<b>300</b>	10,6	9,8	10,3	10,8	10,3	51,8	Brons
4	Sara Manneby	L13	Ringamåla	50	50	50	50	49	50	<b>299</b>	10,6	10,7	10,4	10,8	10,8	53,3	Diplom
5	Susanna Olsson	L13	Ringamåla	50	50	49	50	50	50	<b>299</b>	10,7	10,2	10,4	10,8	10,7	52,8	Diplom
6	Jannike Karlsson	L13	Vilshult	50	49	50	50	50	50	<b>299</b>	10,3	10,8	10,6	10,5	10,4	52,6	Diplom
7	Jessie Svensson	L13	Kyrkhult	50	50	50	49	50	50	<b>299</b>	10,6	10,6	10,5	10,4	10,3	52,4	
8	Simon Wilke-Persson	L13	Sölvesborg	50	49	50	50	50	50	<b>299</b>	10,9	10,2	10,3	10,3	10,0	51,7	
9	Andreas Karlsson	L13	Mörrum	50	50	50	49	50	50	<b>299</b>	10,4	10,4	10,0	10,3	10,5	51,6	
10	Matilda Karlsson	L13	Ringamåla	49	50	50	50	50	49	<b>298</b>							
11	Emilia Ohlin	L13	Gammalstorp	49	50	50	50	49	49	<b>297</b>							
12	Alexander Mattisson	L13	Kyrkhult	50	49	49	50	49	49	<b>296</b>							
13	Karl Ohlsson	L13	Karlshamn	50	48	49	49	49	50	<b>295</b>							
14	Jenny Andersson	L13	Vilshult	48	50	50	48	50	48	<b>294</b>							
15	Johan Yngvesson	L13	Gammalstorp	49	49	48	49	49	49	<b>293</b>							
16	Dennis Nilsson	L13	Vilshult	49	49	47	47	49	49	<b>290</b>							
17	Anton Bengtsson	L13	Kyrkhult	47	49	46	49	45	48	<b>284</b>							
18	Martin Bengtsson	L13	Kyrkhult	39	44	44	42	43	43	<b>255</b>							
19	Anton Rehn	L13	Karlshamn	42	37	45	44	43	41	<b>252</b>							

